

**FINISHES  
SOLUTIONS**



# **USG MIDDLE EAST FINISHES PRODUCTS CATALOGUE**

**USG ME** <sup>TM</sup>  
INNOVATIVE SOLUTIONS. EVERYTIME.

## WWW.USGME.COM

Visit USG ME website for the most updated technical information, products range and new launches

Now you can place your sample request through USG ME online website. Samples request it now much easier!

With USG ME social and digital platforms you can remain updated with our daily updates.

Follow us on:



Offering the industry's broadest selection of finishing solutions, our high-quality drywall compounds, joint tapes, beads, and trims provide superior performance on every job, every time. Whether you're taping, applying a finish coat, or patching a crack, there is a USG finishing product to meet your needs. Builders, project managers, and architects can count on our broadest selection of finishing solutions to deliver.

## TABLE OF CONTENTS

Page	
4	GYPSUM SURFACE FINISHING SOLUTIONS
18	CEMENT SURFACES FINISHING SOLUTIONS
26	ACOUSTICAL CEILINGS FINISHING SOLUTIONS
34	BONDING SOLUTIONS
40	SEALANT
48	ACCESSORIES



# GYPSUM SURFACE FINISHING SOLUTIONS

## GYPSUM SURFACE FINISHING SOLUTIONS

USG Middle East gypsum surface finishing solutions provides professional-grade performance. Sheetrock® Brand All Purpose Joint Compound and Premium Premix are combines single-package convenience with good taping and topping performance. Recommended for laminating and repairing cracks in interior plaster and masonry not subject to moisture, these compounds feature great open time and cold bond, and has smooth and slick properties. This joint compound qualifies as a low VOC emitting material and complies with ASTM C475.

The Gypsum Plaster Setting-Type of Easycoat 30 and Easyjoint™ 60 provides quick set times allow for one-day drywall finishing and next-day decoration of drywalls in interiors and exterior areas. Let our setting-type collection set the pace with a range of formulations that provide a choice in setting times. They provide low shrinkage and superior bond, which make them excellent for projects like laminating gypsum panels, acoustical gypsum boards and above-grade all gypsum surfaces.

---

**SHEETROCK® ALL PURPOSE JOINT COMPOUND**

---

**SHEETROCK® DRYING-TYPE ALL PURPOSE JOINT COMPOUND**

---

**PREMIUM PREMIX JOINT COMPOUND**

---

**SHEETROCK® BRAND TUFF-HIDE™ PRIMER-SURFACER**

---

**EASYCOAT 30 SETTING-TYPE GYPSUM**

---

**EASYJOINT™ 60 SETTING-TYPE PREMIUM-JOINTING**

---

**USG ME** ™

INNOVATIVE SOLUTIONS. EVERYTIME.



# SHEETROCK® ALL PURPOSE JOINT COMPOUND

## FEATURES & BENEFITS

USG Middle East Sheetrock® All Purpose joint compound is an air-drying, compound suitable for all three coat applications or as a finishing coat for all plasterboard joints, angles and fastener heads. Complies with ASTM C475.

- For interior drywall applications.
- Premium grade, all purpose or finishing compound.
- Used for all three coats or as a skimming coat.
- Excellent workability, easy application by hand or with mechanical tools.
- Minimal mixing & cleaning of tools.
- Can be sanded by hand or with mechanical sanding tools.
- Excellent surface for painting.



## INTENDED FOR

- USG Middle East Sheetrock® All Purpose Joint Compound is suitable for use as all three coats in the USG three coat jointing system.
- USG Middle East Sheetrock® All Purpose is suitable for the final coating of plasterboard joints, angles and fastener heads when used in conjunction with USG setting type joint compounds for first and second coats.

## APPLICATION

- Surfaces must be clean and free from dust.
- Sheetrock® All Purpose may be diluted to a workable viscosity by adding water followed by mechanical mixing if desired.
- Can be applied by hand or mechanical tools.
- When using Sheetrock® All Purpose for all three coats, the first coat must be used to bed a high-quality paper tape.
- Sheetrock® All Purpose compound must be allowed to dry thoroughly (up to 24 hours depending on temperature & humidity) before re-coating or sanding.
- Only apply over setting type compounds that have been allowed to dry thoroughly.
- Sand with care using 180 or 220 grit paper.
- Thoroughly clean all tools and equipment after use.

## LIMITATIONS

1. The application of USG Middle East Sheetrock® All Purpose Joint Compound at interior temperatures less than 10°C is not recommended. Under cold or wet weather conditions, allow more than 24 hours for thorough drying.
2. When diluting USG Middle East Sheetrock® All Purpose Joint Compound do not vigorously over mix as this will introduce entrapped air which can result in surface imperfections.
3. Do not apply USG Middle East Sheetrock® All Purpose Joint Compound over joints that are not thoroughly dry; pinholes may result.
4. Do not use sandpaper lower than 150 grits. Take care to avoid scratching when sanding.
5. The inclusion of other materials to a mix will impair the performance (e.g. reduced strength and poor adhesion) and void the product warranty.
6. Consume an opened pail within 48 hours.

## MIXING

- Always use clean tools.
- Do not mix with residues of previously used compounds.
- The inclusion of such materials will impair the performance of this product and will void the product warranty.
- All Purpose Premix may appear thick in pail. Before adding water, lightly mix & test its application; if required, add water to achieve desired consistency.
- **Caution:** Avoid over-thinning when adding water as this may cause cracking and excessive shrinkage. If liquid has separated from the compound, stir carefully to restore consistency.
- **Caution:** Do not over mix; over mixing can introduce air bubbles, which can create surface imperfections.

## STORAGE

- USG Middle East Sheetrock® All Purpose Joint Compound should be stored under a cover in a dry environment and protected from temperature extremes; storage in an unsuitable environment can shorten the lifespan of this product.
- USG Middle East Sheetrock® All Purpose Joint Compound has a shelf life of 18 months from date of manufacture.

## PRODUCT DATA

	Sheetrock® All Purpose Joint Compound
Color	White
Working Time	Drying Type: Minimum 24 hours drying time or longer in adverse climatic conditions
Packaging	Net 5 kg, 15 Kg and 28 kg re-sealable pail
VOC Content	<50g/L
Tapping & Filling Coverage	56m <sup>2</sup>
Shelf life	18 months

## PRECAUTIONARY STATEMENT

- Dust from this product contains silica. Prolonged inhalation may be harmful to health.
- Ensure adequate ventilation. Wear eye protection and an approved disposable respirator which conforms to AS1716: 2012 Type P1 or P2.
- If dust or paste causes irritation use impervious PVC, nitrile or rubber gloves. Wash exposed skin after handling. If product gets into the eyes, wash thoroughly with clean water.
- Do not ingest contents of package. If ingested, seek medical advice immediately.
- Keep contents out of reach of children.
- Be conscious of the environment. Dispose of empty packaging in a responsible manner.
- Follow safe lifting instructions on the product label.

## REFERENCES

For further health and safety instructions, refer to the Safety Data Sheet (SDS) for this product, available from your USG Middle East sales office or [USGme.com](http://USGme.com)



# SHEETROCK® DRYING-TYPE ALL PURPOSE JOINT COMPOUND POWDER

## FEATURES & BENEFITS

### For Superior Drywall Finishing

USG Middle East Sheetrock® drying-type All Purpose Joint Compound (Powder) for interior drywall applications is a suitable drying-type Joint Compound for all three coats or as a finishing coat for all drywall joints, angles and fastener heads. It incorporates good taping and topping characteristics in a single product, for use where finest results of the specialized compounds are not necessary. Also this drying-type joint compound has a good texturing properties. Complies with ASTM C475.

- For interior drywall applications.
- Fast smooth application.
- Three job-tested types—taping, topping, all purpose.
- Easy to mix, offer ample working time.
- Retain consistency—will not thin out or settle.
- Can be used for simple, hand-applied textures.



## ADVANTAGES

- **Mixing ease, wet-mix stability:** USG Middle East Sheetrock® drying-type All Purpose Joint Compound (Powder) go into solution fast, can be used after short soaking period. Compounds retain consistency for extended periods without re-stirring or adjustment of mix.
- **Smooth workability:** Improved application properties assure consistently superior workability from beginning to end of batch—assure smooth, uniform joint surfaces. Excellent cohesion and consistency of wet-mix keep droppings to a minimum. Virtually eliminate costly clean up.
- **Simplify decorating:** Smooth finished joints simplify application of paint or wallpaper. Also it can be used for textured effects. USG Middle East Sheetrock® drying-type All Purpose Joint Compound (Powder) is a suitable material for producing light, hand-applied textures.
- **Longer shelf life:** Drying-Type compounds are basically inorganic in composition—have long package life up to 24 months.

## LIMITATIONS

- Bag must be protected from freezing, moisture, and extreme heat.
- Compound is not recommended for laminating.
- Prior to using any epoxy coating over any surface treated with joint compound, consult the epoxy coating manufacturer and follow manufacturer's specific recommendations regarding the preparation or suitability of substrates for the epoxy coating. Many epoxy coatings exert significant shear stress on the substrate as the strong epoxy film shrinks while curing/drying. This stress can cause the bond of the joint compound to fail, resulting in delamination problems.

## PREPARATION

1. Position and apply USG Middle East Sheetrock® drying-type All Purpose Joint Compound (Powder) Gypsum Panels in accordance with manufacturer's recommendations.
2. Mix USG Middle East Sheetrock® drying-type All Purpose Joint Compound (Powder) according to directions on bag. In cold weather, raise temperature of powder to 15°C, before mixing, and use lukewarm water. In cold weather and during gypsum panel application and joint finishing, temperature within the building shall be maintained at a minimum of 15°C. Adequate ventilation shall be provided to carry off excess moisture.

## APPLICATION

Cover joint with a thin layer of compound and embed tape, leaving about 150mm of compound under feathered edge. Let dry and sand lightly as required. Apply second coat, feathering 50mm beyond first coat. Let dry, sand lightly as required and then apply third coat, feathering 75mm beyond second coat. Sand lightly as required when dry. Finish fastener heads, corner bead and inside corners as required with at least three coats of joint compound, feathered out onto panel faces and sanded lightly as required.

## DECORATING AND TEXTURING

1. For priming and decorating with paint, texture or wall covering, follow manufacturer's directions for materials used. All surfaces, including applied joint compound, must be thoroughly dry, dust-free, and not glossy before decorating. Walls to be covered with wallpaper, vinyl wall covering or a good quality interior latex flat wall paint should be sealed per manufacturer's recommendation.
2. To improve fastener concealment, where gypsum panel walls and ceilings will be subjected to severe artificial or natural side lighting and be decorated with a gloss paint (egg shell, semi-gloss or gloss), the gypsum panel surface should be skim coated with USG Middle East Sheetrock® drying-type All Purpose Joint Compound (Powder) to equalize suction before painting.

## GOOD PRACTICES

- Stir occasionally during use to maintain a smooth, manageable texture. The working time is about 3 hours.
- In hot and dry climates, you can moisten the surface of cement board before applying uniform layer to slow the drying time of compound and avoid possible cracks.
- The mesh should not be visible through the Sheetrock® drying-type All Purpose Joint Compound (Powder).
- Maximum thickness recommended should be 3 mm across the surface.
- Before the Sheetrock® drying-type All Purpose Joint Compound (Powder) is dry, you can smooth the texture with a wet float.
- Allow dry at least 24 hours before applying the finish.

## PRODUCT DATA

	Sheetrock® All Purpose Drying-type Joint Compound (Powder)
Color	White
Working Time	8 hours to dry
Packaging	25 kg (bag)
Shelf Life	24 months

## SAFETY

- Dust from this product contains silica. Prolonged inhalation may be harmful to health.
- Ensure adequate ventilation. Wear eye protection and an approved disposable respirator which conforms to AS1716: 2012 Type P1 or P2.
- If dust or paste causes irritation use impervious PVC, nitrile or rubber gloves. Wash exposed skin after handling. If product gets into the eyes, wash thoroughly with clean water.
- Do not ingest contents of package. If ingested, seek medical advice immediately.
- Keep contents out of reach of children.
- Be conscious of the environment. Dispose of empty packaging in a responsible manner.
- Follow safe lifting instructions on the product label.

## REFERENCES

For further health and safety instructions, refer to the Safety Data Sheet (SDS) for this product, available from your USG Middle East sales office or [USGme.com](http://USGme.com)



# PREMIUM PREMIX JOINT COMPOUND

## FEATURES & BENEFITS

USG Middle East Premium Premix joint compound is an air-drying, Lightweight compound suitable for all three coat applications or as a finishing coat for all plasterboard joints. Angles and fastener heads. Complies with ASTM C475.

- For interior drywall applications
- Minimal shrinkage
- Easy sanding
- Exceptional crack-resistance
- Excellent bond
- Smooth finish



## INTENDED FOR

- USG Middle East Premium Premix is suitable for use as all three coats in the USG three coat jointing system.
- USG Middle East Premium Premix is suitable for the final coating of plasterboard joints. Angles and fastener heads when used in conjunction with USG setting type joint compounds for first and second coats.

## APPLICATION

- Surfaces must be clean and free from dust.
- USG Middle East Premium Premix be diluted to a workable viscosity by adding water if desired followed by mechanical mixing.
- Can be applied by hand or mechanical tools.
- When using USG Middle East Premium Premix for all three coats, the first coat must be used to bed a high-quality paper tape.

### Directions - Jointing and Finishing

#### First Coat (150mm wide)

Cover joint with a thin layer of compound and embed paper tape. Leaving at least 1mm of compound under feathered edge. Let dry and sand lightly.

#### Second Coat (200mm wide)

Apply second coat, feathering approximately 50mm beyond first coat. Let dry and sand lightly.

#### Third Coat (275mm wide)

1. Apply third coat. Feathering 75mm beyond second coat. Let dry and sand lightly. Finish fastener heads. Corner beads and inside corners as required with at least three coats of joint compound, feathered out onto panel faces and finished to a smooth surface.
2. USG Middle East Premium Premix compound must be allowed to dry thoroughly (up to 24 hours depending on temperature and humidity) before re-coating or sanding.
3. Only apply over setting type compounds that have been allowed to dry thoroughly.
4. Sand with care using 180 to 220 grit sandpaper.
5. Thoroughly clean all tools and equipment after use.

**NOTE:** All surfaces including applied joint compound require light sanding before painting.

## MIXING

- Always use clean tools.
- Do not mix with residues of previously used compounds.
- The inclusion of such materials will impair the performance of this product and will void the product warranty.
- USG Middle East Premium Premix may appear thick in pail. Lightly mix & test its application before adding water. If required; add water to achieve desired consistency.
- **Caution:** Avoid over-thinning when adding water as this may cause cracking and excessive shrinkage. If liquid has separated from the compound, stir carefully to restore consistency.
- **Caution:** Do not overmix; overmixing can introduce air bubbles, which can create surface imperfections.

## STORAGE

- USG Middle East Premium Premix should be stored under a cover in a dry environment and protected from temperature extremes; storage in an unsuitable environment can shorten the lifespan of this product.
- USG Middle East Premium Premix has a shelf life of 18 months from date of manufacture.

## PRODUCT DATA

	USG Middle East Premium Premix
Color	White
Working Time	12-24 hours (depending on local conditions)
Packaging	Net 28 kg re-sealable pail
VOC Content	<30g/L
Tapping & Filling Coverage	56m <sup>2</sup>
Shelf Life	18 months

## LIMITATIONS

- The application of USG Middle East Premium Premix at interior temperatures less than 10°C is not recommended. Under cold or wet weather conditions, allow more than 24 hours for thorough drying.
- When diluting USG Middle East Premium Premix do not vigorously over mix as this will introduce entrapped air which can result in surface imperfections.
- Do not apply USG Middle East Premium Premix over joints that are not thoroughly dry; pinholes may result.
- Do not use sandpaper lower than 150 grits. Take care to avoid scratching when sanding.
- The inclusion of other materials to a mix will impair the performance (e.g. reduced strength and poor adhesion) and void the product warranty.
- Consume an opened bucket within 48 hours.

## PRECAUTIONARY STATEMENT

- Dust from this product may contain silica. Prolonged inhalation may be harmful to health.
- Ensure adequate ventilation. Wear eye protection and an approved disposable respirator.
- If dust or paste causes irritation use impervious PVC, nitrile or rubber gloves. Wash exposed skin after handling. If product gets into the eyes wash thoroughly with clean water.
- Do not ingest contents of package. If ingested, seek medical advice immediately.
- Keep contents out of reach of children.
- Be conscious of the environment. Dispose of empty packaging in a responsible manner.
- Follow safe lifting instructions on the product label.

## REFERENCES

For further health and safety instructions, refer to the Safety Data Sheet (SDS) for this product, available from your USG Middle East sales office or [USGme.com](http://USGme.com)



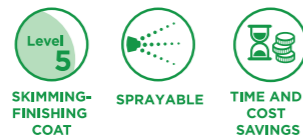
# SHEETROCK® BRAND TUFF-HIDE™ PRIMER-SURFACER

## FEATURES & BENEFITS

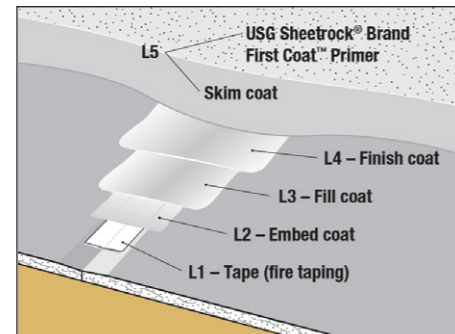
### Skim coats and primes in one spray application

USG Sheetrock® Brand Tuff Hide™ Primer-Surfacer is a dual-purpose latex-based coating designed especially for interior application over new drywall. For level 5 drywall finish, a single spray application provides the same highest quality drywall finish as the traditional two-step process of skim coating surfaces with joint compound, followed by a coat of primer. Tuff Hide primer surfacer dries white; when a flat white finish is preferred for noncontact surfaces such as ceiling applications Tuff Hide can be left unpainted to produce a smooth finished surface.

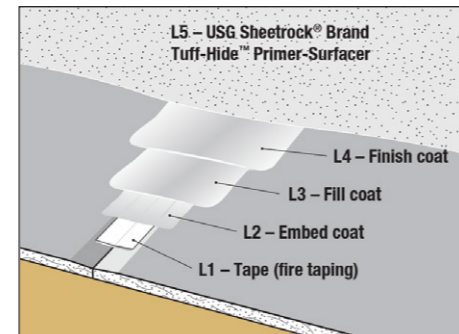
- Achieves a Level 5 finish faster
- High build spray for a smoother, more beautiful finish
- Durable coating hides minor surface defects
- Excellent for critical light areas
- Ideal finish for ceilings
- Dries white; can be tinted to match final top coat
- For professional use only



Traditional Level 5 Finish



USG Middle East Sheetrock® Brand Tuff-Hide™ Primer-Surfacer Level 5 Finish



## DIRECTIONS - SURFACE PREPARATION

Surface must be dry, clean and free of oil, grease, mildew and dust. Product, air and surface temperatures must be maintained at a minimum of 15°C throughout the finishing process. Refer to USG Middle East technical and specification teams for finishing and decorating best practices.

**New Drywall:** Treat all joints, fasteners and accessories with a recommended USG Sheetrock® Brand joint treatment system. Fill all nicks, voids and gouges with joint compound. A minimum Level 4 wallboard finish is recommended. Refer to Gypsum Association publication Recommended Levels of Gypsum Board Finish (GA-214) or ASTM C840 equivalent for a detailed description. Level 5 finish can only be achieved if applied to Level 4 finished wallboard.

**Concrete & Plaster:** Concrete and plaster surfaces should be thoroughly dry before painting. Concrete surfaces should age at least 60 days before finishing. Remove all form oils and efflorescence and grind down form lines. Fill cracks and holes, and level concrete surfaces with USG Middle East Tuff Silk joint compound (powder or ready mix) and let dry.

## MIXING

Stir gently. Use fresh material. Do not thin. Thinning will reduce performance. Do not intermix with any other product. May be tinted with up to 240ml per 28kg pail of universal colorants.

## APPLICATION

**Airless spray application only.** Use professional equipment that meets or exceeds the following rating when spraying through 15m of 6mm I.D. high-pressure hose: output at least 3.8 Liter per minute; pump pressure rated at 2,700-3,000 psi; and accommodates a 0.8mm spray tip at 2,000 psi (Graco Mark V™ or equivalent). Use a 30-mesh filter located in the high-pressure manifold. Use a spray-tip orifice between 0.6 to 0.8mm. It is recommended to use a Graco heavy-duty texture spray gun or equivalent that accommodates a Graco Reverse-A-Clean (RAC) Switch Tip.

**Test the spray pattern prior to application.** To apply, hold spray gun perpendicular to the surface approximately 45cm away. Move the gun parallel to the surface at a steady rate. Overlap preceding application by 1/2 of the fan width for uniform paint thickness. Spray from left to right to scratch in the initial coat at approximately half of the desired thickness. Then crosshatch spray up and down as the double-up coat to the desired thickness. When painting corners, aim the gun toward the center of the corner to ensure both sides are sprayed evenly. When used in lieu of a skim coat of joint compound and paint primer coat in a Level 5 gypsum board finish, apply to a minimum Wet Film Thickness (WFT) of 0.4mm. In all applications, a wet film thickness in excess of 0.5mm is not recommended. During and after application, avoid drafts and maintain 15°C minimum product, air and surface temperatures until surface is dry.

**Note:** May be roller applied for use as a high-solids, primer paint coat. Use a high-quality roller, with 6-9mm nap roller cover on smooth surfaces. Apply to a wet film thickness (WFT) of 0.1-0.2mm.

## DRYING TIME

Dries to touch in approximately 60-90 minutes when applied at 15-20 mils WFT (9-12 mils DFT) under normal drying conditions (15°C, 50% RH). Let dry before recoating. The following (together or individually) will slow drying and/or greatly impact the finished appearance: high humidity, cold temperature and poor ventilation/air circulation.

## COVERAGE

Approximately 2.5-3 m<sup>2</sup> per 1 L when applied at 15-20 mils WFT (9-12 mils DFT). Actual coverage can vary depending on factors such as substrate surface condition, spray techniques, procedures, coating uniformity and thickness.

## CLEANUP

Wipe up drips and spills immediately with damp cloth. Clean tools with warm, soapy water. Close container after each use.

## SANDING

If proper spraying technique is used, sanding probably will not be needed. However, if touch-up sanding is required, this formulation sands easily.

## DECORATING

May be painted after overnight drying. Follow paint manufacturer's instructions. May be left unpainted.

## PRODUCT DATA

**Testing:** Tested for abrasion resistance, passing 1,000 cycles, in accordance with ASTM D4977 (modified). For additional information on abrasion resistance testing methods and comparative results, refer to Abuse-Resistant Systems (SA929). Tested in accordance with ASTM D3450 (washability) and ASTM D2486 (scrubbability).

**Material:** Vinyl acrylic latex-based.

**Types:** Spray application only.

**Temperature Sensitivity:** Store in a dry location. Protect from freezing, exposure to extreme heat and direct sunlight.

**VOC Content:** >50 g/L.

**Coverage:** Approximately 2.5-3m<sup>2</sup> / 1 L when applied at 15-20 mils WFT (9-12 mils DFT).

**Drying Time:** Approximately 60-90 minutes when applied at 15-20 mils WFT (9-12 mils DFT) under normal drying conditions (15°C/50% RH).

**Shelf life:** 18 months

**Storage:** Store at room temperature in a dry location. Up to 18 months shelf life under good storage conditions.

**Packaging:** 28KG (5 gal) Pail

## PRECAUTIONARY STATEMENT

- Dust from this product contains silica. Prolonged inhalation may be harmful to health.
- Ensure adequate ventilation. Wear eye protection and an approved disposable respirator which conforms to AS1716: 2012 Type P1 or P2.
- If dust or paste causes irritation use impervious PVC, nitrile or rubber gloves. Wash exposed skin after handling. If product gets into the eyes, wash thoroughly with clean water.
- Do not ingest contents of package. If ingested, seek medical advice immediately.
- Keep contents out of reach of children.
- Be conscious of the environment. Dispose of empty packaging in a responsible manner.
- Follow safe lifting instructions on the product label.



# EASYCOAT 30 SETTING-TYPE GYPSUM POWDER

## FEATURES & BENEFITS

EASYCOAT 30 Setting-Type Gypsum Powder is a setting interior use compound specially formulated for applying onto gypsum board, precast wall, masonry wall and ceiling. Its unique formulation consists of gypsum plaster mixed together with special additives to provide high performance mixing, application and finishing qualities.

- **High quality finish** No more crack and sandier since it provides a smooth ivory finish that can be trowel-led to a matt or polished finish or even painting if required.
- **Time saving** No need to cure like concrete. Just after dried out, you can proceed the next step.
- **Easy to mix** Provides good mixing qualities with minimal effort. Just tear a package and mix with clean water. It's then ready to use.
- **Easy to apply** Easy application qualities for the installer. Use less effort to apply due to the very soft compound body.
- **Only one product** needed for gypsum board, can be used for treating both joints and gypsum board surface.

## RECOMMENDED

EASYCOAT 30 Setting-Type Gypsum Powder is suitable for skimming directly onto various types of surfaces without adding any other additives or changing type of finishing plaster. Recommended surface of application are:

- Masonry wall surface
- Precast wall surface, *treat the surface with primer before application*
- Gypsum board partition

## APPLICATION

### Application onto Gypsum Board

#### 1. Mixing

Pour EASYCOAT 30 Setting-Type Gypsum Powder into clean water with mixture ratio 1:2 and mix it with a drill or plunger until you have a creamy consistency

#### 2. Jointing

Treat all joints using EASYCOAT 30 Setting-Type Gypsum Powder with appropriate joint tape

#### 3. Lay on

Lay on the first coat a thickness of 2 mm. If need 5 mm thickness, lay on the second coat once the first one becomes damp

#### 4. Flatten Down

You can flatten down when the plaster starts to pick up (firms on surface). You should flatten down with a dry or slightly wet trowel to achieve a flat appearance

#### 5. First Trowel

Repeat stage 4 but this time use a slightly wet towel. You might find that at this stage an acceptable matt finish is achieved if a high quality finish is not required

#### 6. Second Trowel

By repeating stage 5 a high quality matt or polished finish can be achieved by troweling

### Application on Masonry Surface

#### Treatment of Masonry

Remove any dust and to minimize surface suction treat sand/cement with either copious agent in accordance with the manufacturer instructions. Then, follow steps 1-6 on gypsum board

## MIXING

- Always use clean cold water, tools and containers
- Always use potable water, never use salty water for mixing
- Do not mix with residues of previously used compounds; use of dirty tools or containers may reduce working time and strength
- Always add Gypsum Powder to water (2kg of powder to 1L of water)
- Mix only enough Gypsum Powder to meet needs
- Mix by hand or with a power mixer (max of 400rpm) until a workable paste has been achieved

### Caution:

- Do not overmix. Overmixing can introduce air bubbles, which can create surface imperfections and reduces working time
- Once setting has commenced the material cannot be remixed and must be discarded

## STORAGE

- EASYCOAT 30 Setting-Type Gypsum Powder should be stored under a cover in a dry environment and protected from temperature extremes; storage in an unsuitable environment can shorten the lifespan of this product
- EASYCOAT 30 Setting-Type Gypsum Powder has a shelf life of 24 months from date of manufacture

## PRODUCT DATA

	EASYCOAT 30 Setting-Type Gypsum Powder
Color	White Powder
Application thickness	2-5mm
Setting time	30 minutes
Mixing Ratio (powder to water)	2:1
Adhesion onto Gypsum board	>0.25 Mpa
Adhesion onto concrete	>1 Mpa
Coverage/bag	20m <sup>2</sup> based on 2mm thickness
Packaging	40kg/bag
Shelf life	24 months

## LIMITATIONS

- Under cold or wet conditions, allow a longer dry time before applying the following coat
- The inclusion of other materials to a mix will impair the performance (e.g. reduced strength and poor adhesion) and void the product warranty
- Application of plaster based setting compounds over premixed drying type compounds is not recommended

## PRECAUTIONARY STATEMENT

- Dust from this product may contain silica. Prolonged inhalation may be harmful to health
- Ensure adequate ventilation. Wear eye protection and an approved disposable respirator
- If dust or paste causes irritation use impervious PVC, nitrile or rubber gloves. Wash exposed skin after handling. If product gets into the eyes, wash thoroughly with clean water
- Do not ingest contents of bag. If ingested, seek medical advice immediately
- Keep contents out of reach of children
- Be conscious of the environment. Dispose of empty bags in a responsible manner
- Follow safe lifting instructions on the product label

## REFERENCES

For further health and safety instructions, refer to the Safety Data Sheet (SDS) for this product, available from your USG Middle East sales office or [USGme.com](http://USGme.com)





# EASYJOINT™ 60 SETTING-TYPE PREMIUM-JOINTING POWDER

## FEATURES & BENEFITS

### Premium-Jointing Powder

EASYJOINT™ 60 Setting-Type Premium-Jointing Powder is a plaster based compound formulated for the bedding of gypsum board joints, angles and spotting fastener heads. Available in a consistent setting time of 60 minutes.

- Consistent setting time
- Mixes easily to a smooth and creamy gauge
- Easy scrape back
- Excellent joint filling with excellent adhesion, high strength and low shrinkage



## RECOMMENDED

- EASYJOINT™ 60 Setting-Type Premium-Jointing Powder is suitable for use as all three coats in the USG Middle East three coat jointing system
- EASYJOINT™ 60 Setting-Type Premium-Jointing Powder is also recommended for use as the first and second coat in USG Middle East three coat jointing systems when used in conjunction with USG Middle East Sheetrock® All Purpose Joint Compound or Premium Premix as the finishing coat

## APPLICATION

- Surfaces must be clean and free from dust
- The use of paper tape is recommended such as USG Middle East Paper Joint Tape
- Ensure there is sufficient amount of compound under the paper tape to provide adhesion

### Jointing and Finishing

#### First Coat (150mm wide)

1. Using a broad knife, evenly fill the joint recess formed by the edges of the gypsum board with EASYJOINT™ 60 Setting-Type Premium-Jointing Powder
2. Center paper tape along the joint and press into the compound using the broad knife
3. Draw the broad knife at a 45° angle along the joint with enough pressure to remove excess compound and any air bubbles caught beneath the tape. Leave enough compound under the tape to provide a strong bond
4. Apply a thin layer of compound over the tape to prevent the tape edge curling and cracking. Feather the compound from the edges outwards. Cover all fastener heads with spots of compound

#### Second Coat (200mm wide)

5. When dry, apply a second coat using a plasterer's trowel, approximately 50mm wider than the first coat. Spot fastener heads again. Allow to dry
6. When the second coat has dried, scrape or sand back any excess compound for a smooth and level surface

#### Third Coat (250mm wide)

7. Apply a finishing coat of compound with a trowel, approximately 50mm wider than the previous coat
8. When dry, using 180 to 220 grit sandpaper in a hand sander, sand lightly to a smooth finish, taking care not to scuff the surrounding gypsum board
9. Thoroughly clean all tools and equipment after use

#### NOTE: Sanding

- All types of gypsum board joints require light sanding before painting

## MIXING

- Always use clean cold water, tools and containers
- Always use potable water, never use salty water for mixing
- Do not mix with residues of previously used compounds; use of dirty tools or containers may reduce working time and strength
- Always add EASYJOINT™ 60 Setting-Type Premium-Jointing Powder to water (2kg of powder to 1L of water)
- Mix only enough EASYJOINT™ 60 Setting-Type Premium-Jointing Powder to meet needs
- Mix by hand or with a power mixer (max of 400rpm) until a workable paste has been achieved

### Caution:

- Do not overmix. Overmixing can introduce air bubbles, which can create surface imperfections and reduces working time
- Once setting has commenced the material cannot be remixed and must be discarded

## STORAGE

- EASYJOINT™ 60 Setting-Type Premium-Jointing Powder should be stored under a cover in a dry environment and protected from temperature extremes; storage in an unsuitable environment can shorten the lifespan of this product
- EASYJOINT™ 60 Setting-Type Premium-Jointing Powder has a shelf life of 24 months from date of manufacture

## PRODUCT DATA

	EASYJOINT™ 60 Setting-Type Premium-Jointing Powder
Color	White powder
Working Time	45 minutes
Mixing Ratio (powder to water)	2:1
Packaging	20kg/bag
VOC	Meet ISO 11890-2 (<25g/L)
Coverage/bag	65m <sup>2</sup> based on 3 coats application method
Shelf life	24 months

## LIMITATIONS

- Under cold or wet conditions, allow a longer dry time before applying the following coat
- The inclusion of other materials to a mix will impair the performance (e.g. reduced strength and poor adhesion) and void the product warranty
- Application of plaster based setting compounds over premixed drying type compounds is not recommended

## PRECAUTIONARY STATEMENT

- Dust from this product may contain silica. Prolonged inhalation may be harmful to health
- Ensure adequate ventilation. Wear eye protection and an approved disposable respirator
- If dust or paste causes irritation use impervious PVC, nitrile or rubber gloves. Wash exposed skin after handling. If product gets into the eyes, wash thoroughly with clean water
- Do not ingest contents of bag. If ingested, seek medical advice immediately
- Keep contents out of reach of children
- Be conscious of the environment. Dispose of empty bags in a responsible manner
- Follow safe lifting instructions on the product label

## REFERENCES

For further health and safety instructions, refer to the Safety Data Sheet (SDS) for this product, available from your USG Middle East sales office or [USGme.com](http://USGme.com)

# CEMENT SURFACES FINISHING SOLUTIONS



## CEMENT SURFACES FINISHING SOLUTIONS

Concrete plaster is a type of plaster that is made from a mixture of Portland cement, sand, and water. It is a strong and durable material that is often used as a finish for walls and ceilings. Unlike traditional plaster, which is made from gypsum, concrete plaster is not as brittle and is more resistant to water damage. It is typically applied in multiple layers and can be finished with a variety of textures, depending on the desired look. Our concrete plaster includes Durock® & General Purpose Setting-Type Basecoat, Easycoat Advanced Formula Ready-Mix and other cementitious surfaces finishing products are commonly used as a finish for both interior and exterior walls and ceilings. This range is often applied to concrete, brick, or masonry surfaces to create a smooth, durable finish. Concrete plaster is also used to repair and resurface damaged walls and ceilings, and to cover up imperfections in the underlying surface. In addition, concrete plaster can be used to create decorative elements such as moldings, cornices, and ceiling medallions. Used in the construction of swimming pools, to create a smooth, waterproof finish.

**EASYCOAT ADVANCED FORMULA READY-MIX WALL PUTTY**

**GENERAL PURPOSE SETTING-TYPE BASECOAT**

**DUROCK® SETTING-TYPE BASECOAT**





# EASY COAT ADVANCED FORMULA ALL PURPOSE WALL PUTTY

## FEATURES & BENEFITS

USG Middle East All Purpose Wall Putty provides an excellent quality thin underlayment solution used to repair walls and ceilings as crack filler.

All Purpose Wall Putty provides very smooth surface finish does not require sanding and ready for paint and decorative coatings.

USG Middle East All Purpose Wall Putty is a premium-grade filler and base for use before painting or decorating. All Purpose Wall Putty by USG Middle East is designed to smooth and fill cement and gypsum walls and ceilings. Excellent quality thin underlayment solution used to repair walls and ceilings as crack filler.

All Purpose Wall Putty provides very smooth surface finish does not require sanding and ready for paint and decorative coatings. Complies with ASTM C475.

- Repair walls as filling compound.
- Excellent for use in Skim Coating.
- For use over Concrete and Gypsum Walls and Ceilings.
- Provides very smooth surface finish and does not require sanding.
- Dries to a Fine White Finish.



## PREPARATION FOR SURFACE

Characteristics of USG Middle East All Purpose Wall Putty include excellent bond, superior adhesion to plastered surfaces, resistance to flaking and chipping, and a fine white finish when dry.

Surface must be clean, dry, free from swelling, dirt, dust and non-rusted. Use flexible blade to remove all loose materials from surface. Grind off any major surface imperfections prior to use.

## MIXING

Before use, condition USG Middle East All Purpose Wall Putty and all substrates at temperatures between 13-35°C for at least 24 hours.

Mix contents lightly and perform test application. If needed, incrementally mix in very small amounts of clean water (250ml or less) and mix again.

## APPLICATION ON SUBSTRATE

Never apply when the temperature is below or expected to fall below 13°C. Use a wide drywall knife, joint knife, trowel or flexible steel blade to apply first coat.

Level and smooth surface before apply All Purpose Wall Putty. After putty has fully dried (usually 6 hours or longer, depending on conditions) apply second coat, Usually All Purpose Wall Putty.

Interior Wall Putty does not request sanding after application and dry; but in case if the wall conditions require to sand to a smooth, level surface using 120 grit or finer sand paper. Remove sanding dust with a brush or damp cloth before adding additional coats or decorating.

## DRYING TIME

Allow to fully dry before adding successive coats. Drying time varies based on the thickness of the putty and environmental conditions. Drying time usually is 6-8 hours, depending on conditions.

## DECORATING

For excellent decorating finish use Sheetrock® Brand Tuff Hide™ Primer Surfer before applying finish paint. Use of a primer increases the coverage rate of the finish paint and provides a finer finish. Strictly follow manufacturer's instructions for primers or paints and consult them for help with decorating problems.

## PRODUCT DATA

	USG Middle East All Purpose Wall Putty
Color	White
Packaging	Net 20kg re-sealable pail
Skimming Coverage	25m <sup>2</sup> (based on 1mm thickness)
Drying Time	6-8 Hours
Shelf Life	18 months

## LIMITATIONS

- The application of USG Middle East All Purpose Wall Putty at interior temperatures less than 10°C is not recommended. Under cold or wet weather conditions, allow more than 24 hours for thorough drying.
- When diluting USG Middle East All Purpose Wall Putty do not vigorously over mix as this will introduce entrapped air which can result in surface imperfections.
- Do not apply USG Middle East All Purpose Wall Putty over joints that are not thoroughly dry; pinholes may result.
- Consume an opened pail within 48 hours.

## STORAGE OF MATERIAL

Store inside in a dry location at room temperature, between 13-35°C. Protect from freezing, extreme heat, and exposure to direct sunlight. Keep container tightly sealed.

## PRECAUTIONARY STATEMENT

- Dust from this product contains silica. Prolonged inhalation may be harmful to health.
- Ensure adequate ventilation. Wear eye protection and an approved disposable respirator which conforms to AS1716: 2012 Type P1 or P2.
- If dust or paste causes irritation use impervious PVC, nitrile or rubber gloves. Wash exposed skin after handling. If product gets into the eyes, wash thoroughly with clean water.
- Do not ingest contents of package. If ingested, seek medical advice immediately.
- Keep contents out of reach of children.
- Be conscious of the environment. Dispose of empty packaging in a responsible manner.
- Follow safe lifting instructions on the product label.

## REFERENCES

For further health and safety instructions, refer to the Safety Data Sheet (SDS) for this product, available from your USG Middle East sales office or [USGme.com](http://USGme.com)



# GENERAL PURPOSE SETTING-TYPE BASECOAT

## FEATURES & BENEFITS

General Purpose Setting-Type Basecoat is composed of Portland cement and dry latex polymers specially designed for exteriors walls, ceilings system (EIFS, Exterior insulation and finishing system). It is prepared on site with water and applied with exterior tape brand reinforcement at joints between boards, inside and outside corners. Meets the following standards ASTM C472-79, C266-86, C109-84, EN 99E-1.

- For interior and exterior applications.
- Specially formulated for cement board system.
- High flexibility.
- Good bonding to the substrate.
- Designed for use in EIFS systems.
- Asbestos-free product.



### COVERAGE

- As a coating of 2.5 mm. over the entire surface and joints treatment between boards of cement board, approximate Coverage - 7 to 8 square meter per bag.
- As a coating of 1.5 mm. over the entire surface and joints treatment between boards of cement board, approximate Coverage - 9 to 10 square meter per bag.
- As a bonding for insulating sheathing rigid extruded polystyrene, approximate Coverage - 12 to 14 square meters per bag.

### USAGE

For joints treatment in Cement Board, neat finished edges, is used for embedding, as a coating over the entire surface and joints treatment between boards of cement board and edges that not required vinyl bead. For embedding fiberglass mesh.

### APPROXIMATE SET TIME

Set Time: 8 hours  
Cured concrete set time: 24 hours

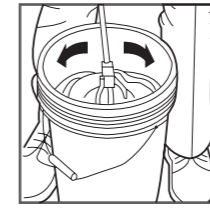
### LIMITATIONS

- Do not apply to frozen surfaces or containing ice.
- Do not apply if ambient temperature or surface temperature is less than 13 ° C.
- Do not left General Purpose Basecoat as finishing, we recommend applying a sealer and finish.
- Do not apply General Purpose Basecoat on facades where there is risk of getting wet from the rain. Program the application to avoid the runoff and weathering of the fresh product.
- Check the finishing so it will be compatible with the cement surfaces.

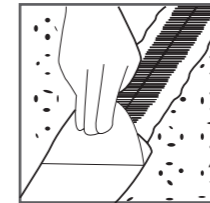
### STORAGE

- Store material in a cool, dry place. Avoid direct sunlight.
- Maintain temperature above 4 °C.
- Shelf Life: Up to 24 months under protected storage conditions.
- Keep out moisture.
- Avoid dew point conditions or excessive moisture.
- After opening the bag close hermetic as possible.
- Stowing 60 bags maximum.

## PREPARATION & APPLICATION



Place 5 liters of water in a container. Start the mixer; slowly add USG General Purpose Basecoat and mix until to obtain a homogeneous mixture. Add more water if is necessary. Approximate water-cement ratios for Basecoat (hand or machine application) are 6 liters per bag. Mix plaster with a cage-type paddle driven by a heavy-duty drill capable of producing 300 to 450 rpm.



When the mixture is smooth and free of lumps, let stand 15 minutes, and then re-mix to a smooth paste. The surface where you will apply the cement must be completely clean, dry and free of dust, ice, grease, oil or other substances that may prevent adhesion.



Fill joints with General Purpose Basecoat with a Hammer-End Joint Knife and then place the reinforcing exterior tape, retroweling removing excess of Basecoat in order to embed the tape. Cover corners and vinyl beads. The thickness of the General Purpose Basecoat must be thin, no more than 1 mm. Remove excess with a flat metal wool or polystyrene wet. Allow dry at least 4 hours.

Once the joints are dry, apply a uniform layer of 2 mm thick over the entire surface of Basecoat with a flat trowel. Allow dry at least 24 hours before applying any seal or finish.

## GOOD PRACTICES

- Stir occasionally during use to maintain a smooth, manageable texture. The working time is about 3 hours
- In hot and dry climates, you can moisten the surface of cement board before applying uniform layer to slow the drying time of compound and avoid possible cracks.
- The mesh should not be visible through the Basecoat.
- Maximum thickness recommended should be 3 mm across the surface.
- Before the Basecoat is dry, you can smooth the texture with a wet float.
- Allow dry at least 24 hours before applying the finish.

## PRODUCT DATA

**Color:** dry to white  
**Working Time:** 8 hours to dry  
**Packaging:** 25kg bag  
**Shelf life:** 24 months

## SECURITY

- To handle and apply Basecoat, we recommend the following safety equipment:
- Mask to protect nose and mouth to prevent dust inhalation.
- Safety glasses for protection during cement application.
- Gloves, the alkalinity of the product can irritate the skin if the contact is prolonged.
- Hard hat, Steel-Toe boots, tool belt are some of the accessories required to work on site.

## SAFETY

Dust may cause irritation to eyes, skin, nose, throat and upper respiratory tract. Avoid irritation by reducing exposure to dust. Use in a well-ventilated area or provide sufficient local ventilation. Follow good safety/industrial hygiene practices during installation. Wear appropriate personal protective equipment.

## REFERENCES

For further health and safety instructions, refer to the Safety Data Sheet (SDS) for this product, available from your USG Middle East sales office or [USGme.com](http://USGme.com)



# DUROCK® SETTING-TYPE BASECOAT

## FEATURES & BENEFITS

USG Middle East Durock® Basecoat is composed of Portland cement and dry latex polymers specially designed for exteriors walls, ceilings and DUROSCREEN™ 2100 System (EIFS, Exterior insulation and finishing system). It is prepared on site with water and applied with exterior tape Durock® brand reinforcement at joints between boards, inside and outside corners.

Meets or exceeds the following standards ASTM C472-79, C266-86, C109, EN 99E-1.

- For interior and exterior Durock® boards and cement boards applications.
- Specially formulated for Durock® system.
- High flexibility.
- Exceptional bond to the substrate.
- High performance designed for use in EIFS system.
- Asbestos-free product.



### COVERAGE

- As a coating of 2.5mm over the entire surface and joints treatment between boards of Durock® brand cement board, approximate Coverage - 7 to 8 square meter per bag.
- As a coating of 1.5mm over the entire surface and joints treatment between boards of Durock® brand cement board, approximate Coverage - 9 to 10 square meter per bag.
- As a bonding for insulating sheathing rigid extruded polystyrene or Stone Wool panel approximate Coverage - 12 to 14 square meters per bag.

### USAGE

For joints treatment in Durock® system, neat finished edges, is used for embedding, as a coating over the entire surface and joints treatment between boards of Durock® brand cement board and edges that not required vinyl bead. For embedding fiberglass mesh and as a bonding for insulating sheathing density Stone Wool panels in EIFS (EIFS, Exterior insulation and finishing system) INSULCREEN™ 2100, for bonding Stone Wool panels on Durock® system and masonry systems.

### APPROXIMATE SET TIME

- Set Time: 8 hours
- Cured concrete set time: 24 hours

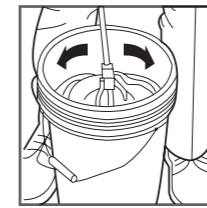
### LIMITATIONS

- Do not apply to frozen surfaces or containing ice.
- Do not apply if ambient temperature or surface temperature is less than 15°C.
- Do not left USG Middle East Durock® Basecoat as finishing, we recommend applying a sealer and finish.
- Do not apply basecoat on facades where there is risk of getting wet from the rain. Program the application to avoid the runoff and weathering of the fresh product.
- Check the finishing so it will be compatible with the cement surfaces.

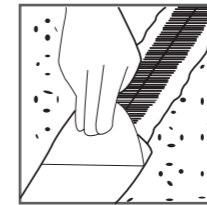
### STORAGE

- Store material in a cool, dry place. Avoid direct sunlight.
- Maintain temperature above 4°C.
- Shelf Life: Up to 24 months under protected storage conditions.
- Keep out moisture.
- Avoid dew point conditions or excessive moisture.
- After opening the bag close hermetic as possible.
- Stowing 60 bags maximum.

## PREPARATION & APPLICATION



Place 5 liters of water in a container. Start the mixer; slowly add Basecoat and mix until to obtain a homogeneous mixture. Add more water if is necessary. Approximate water-cement ratios for Basecoat (hand or machine application) are 6 liters per bag. Mix plaster with a cage-type paddle driven by a heavy-duty drill capable of producing 300 to 450 rpm.



When the mixture is smooth and free of lumps, let stand 15 minutes, and then re-mix to a smooth paste. The surface where you will apply the cement must be completely clean, dry and free of dust, ice, grease, oil or other substances that may prevent adhesion.



Fill joints with Durock® Basecoat with a Hammer-End Joint Knife and then place the reinforcing exterior tape DUROCK® brand, troweling removing excess of Basecoat in order to embed the tape. Cover corners and vinyl beads. The thickness of the Durock® Basecoat must be thin, no more than 1 mm. Remove excess with a flat metal wool or polystyrene wet. Allow dry at least 4 hours.

Once the joints are dry, apply a uniform layer of 2 mm thick over the entire surface of Basecoat Durock® brand with a flat trowel. Allow dry at least 24 hours before applying any seal or finish.

## GOOD PRACTICES

- Stir occasionally during use to maintain a smooth, manageable texture. The working time is about 3 hours.
- In hot and dry climates, you can moisten the surface of cement board before applying uniform layer to slow the drying time of compound and avoid possible cracks.
- The mesh should not be visible through the Durock® Basecoat.
- Maximum thickness recommended should be 3 mm across the surface.
- Before the Basecoat is dry, you can smooth the texture with a wet float.
- Allow dry at least 24 hours before applying the finish.

## PRODUCT DATA

**Color:** dry to grey  
**Working Time:** 8 hours to dry  
**Packaging:** 25kg bag  
**Shelf life:** 24 months

## SECURITY

To handle and apply Durock® Basecoat, we recommend the following safety equipment:

- Mask to protect nose and mouth to prevent dust inhalation.
- Safety glasses for protection during cement application.
- Gloves, the alkalinity of the product can irritate the skin if the contact is prolonged.
- Hard hat, Steel-Toe boots, tool belt are some of the accessories required to work on site.

## SAFETY

Dust may cause irritation to eyes, skin, nose, throat and upper respiratory tract. Avoid irritation by reducing exposure to dust. Use in a well-ventilated area or provide sufficient local ventilation. Follow good safety/industrial hygiene practices during installation. Wear appropriate personal protective equipment.

## REFERENCES

For further health and safety instructions, refer to the Safety Data Sheet (SDS) for this product, available from your USG Middle East sales office or [USGme.com](http://USGme.com)



# ACOUSTICAL CEILINGS FINISHING SOLUTIONS

## ACOUSTICAL CEILINGS FINISHING SOLUTIONS

Acoustical plasterboard ceilings require special finishing materials to achieve the required acoustic performance. We offer the Monosilent Compound for the acoustical ceiling joint treatment which is specially formulated to achieve very low shrinkage joint compound for acoustical plasterboard ceilings. USG ME also offers highly engineered, acoustically transparent spray-applied finish of Monosilent Spray-Applied Finish and Mac Spray-Applied Finish. Sprayed with pneumatic spray texture equipment and yields a fine finish, with a monolithic appearance. The Acoustical transparent finish is available in a standard white color and available in other RAL colors to meet the architect choice.

---

### MONOSILENT COMPOUND

---

### MONOSILENT SPRAY-APPLIED FINISH

---

### MAC SPRAY-APPLIED FINISH

---



# MONOSILENT COMPOUND

## FEATURES & BENEFITS

USG Middle East Monosilent compound is more flexible and easier than other joint compounds for embedding joint tape and for filling and finishing Monolithic Acoustical ceiling panel joints, corner bead, trim and fasteners. Also for hand-applying simple textures. Complies with ASTM C475.

- For interior Monolithic Acoustical Ceiling applications.
- High performance compound.
- Minimizes cratering.
- Excellent workability (including better slip and pull).
- Low shrinkage, easy sanding.
- Better filling.



## INTENDED FOR

USG Middle East Monosilent compound is a high-performance compound specifically formulated for the professional Monolithic Acoustical Ceiling finisher. It weighs up to 25% less than conventional weight compounds and provides superior workability, including slick application, good open time, excellent crack resistance and easy sanding. It eliminates entrained air to minimize cratering and minor surface imperfections. Vinyl formulation ensures professional quality finishing and low shrinkage. In brief, it is used for embedding tape filling and finishing coats in interior Monolithic Acoustical Ceiling applications.

## ADVANTAGES

**USG ME Monosilent Compound Brand quality** In addition to the cost-saving benefits described above, this vinyl-based compound offers all the advantages of high-quality Ready-Mixed Joint Compound.

**Faster mixing time** When additional water is necessary, Monosilent Compound accepts water more quickly to reduce solution time and mixes with less effort than conventional compounds.

**Better slip, excellent bond** Provides superior ease of handling, good crack resistance and excellent adhesion. More open time facilitates working back, even in fast-drying conditions, by providing more wet-edge life.

**Low shrinkage for faster, finer finishing** Factory-controlled low-shrinkage formulation allows finer finished work and usually requires only two coats over fasteners saving time and money.

**Minimized cratering** Special vacuum processing and patented formulation technology eliminate entrained air to minimize cratering and minor surface imperfections.

## MIXING

- Always use clean tools.
- Do not mix with residues of previously used compounds.
- The inclusion of such materials will impair the performance of this product and will void the product warranty.
- USG Middle East Monosilent compound may appear thick in pail. Before adding water, lightly mix & test its application; if required, add water to achieve desired consistency.
- **Caution:** Avoid over-thinning when adding water as this may cause cracking and excessive shrinkage. If liquid has separated from the compound, stir carefully to restore consistency.
- **Caution:** Do not over mix; over mixing can introduce air bubbles, which can create surface imperfections.

## APPLICATION

Apply over USG ME monolithic acoustical ceiling system for joint treatment. Apply over dry surfaces only and allow each coat to dry completely before applying another coat. Final coat should be applied to a smooth finish. Maintain minimum air, joint compound and surface temperature of 15°C within working area until are completely dry.

Drying Time At 25°C, 50% R.H., allow approx. 24 hours between application

## STORAGE

- Keep pails tightly sealed. Store in a dry location at room temperature. Protect from freezing, exposure to extreme heat, and direct sunlight. Use clean, dry and well-sealed container for storing any remain compound after use.
- USG Middle East Monosilent compound has a shelf life of 18 months from date of manufacture.

## PRODUCT DATA

	USG Middle East Monosilent Compound
Color	White
Working Time	12-24 hours (depending on local conditions)
Packaging	17 kg re-sealable pail
VOC Content	<50 g/L
Tapping & Filling Coverage	46 Linear meter (based on 1mm thickness)
Shelf Life	18 months

## LIMITATIONS

- The application of USG Middle East Monosilent compound at interior temperatures less than 10°C is not recommended. Under cold or wet weather conditions, allow more than 24 hours for thorough drying.
- When diluting USG Middle East Monosilent compound do not vigorously over mix as this will introduce entrapped air which can result in surface imperfections.
- Do not apply USG Middle East Monosilent compound over joints that are not thoroughly dry; pinholes may result.
- Do not use sandpaper lower than 150 grits. Take care to avoid scratching when sanding.
- The inclusion of other materials to a mix will impair the performance (e.g. reduced strength and poor adhesion) and void the product warranty.
- Consume an opened pail within 48 hours.

## PRECAUTIONARY STATEMENT

- Dust from this product contains silica. Prolonged inhalation may be harmful to health.
- Ensure adequate ventilation. Wear eye protection and an approved disposable respirator which conforms to AS1716: 2012 Type P1 or P2.
- If dust or paste causes irritation use impervious PVC, nitrile or rubber gloves. Wash exposed skin after handling. If product gets into the eyes, wash thoroughly with clean water.
- Do not ingest contents of package. If ingested, seek medical advice immediately.
- Keep contents out of reach of children.
- Be conscious of the environment. Dispose of empty packaging in a responsible manner.
- Follow safe lifting instructions on the product label.

## REFERENCES

For further health and safety instructions, refer to the Safety Data Sheet (SDS) for this product, available from your USG Middle East sales office or [USGme.com](http://USGme.com)



# MONOSILENT SPRAY APPLIED FINISH

## FEATURES & BENEFITS

### Fine-textured finish for USG Monosilent Acoustical Plasterboard Ceiling

- Acoustically transparent, technologically advanced formulation
- White color with a fine, granular texture
- High light reflectance (LR-85%)
- 17L pail
- Quick drying, re-coat in 20 to 40 minutes\*
- Applied with pneumatic spray equipment for economical installation

#### Notes

\* In less than ideal drying conditions (colder weather), you may have to wait 60-90 min between coats. Check surface is dry to the touch before spraying subsequent coats.

#### USE

Designed specifically as the fine-textured finish for USG Monosilent Acoustical Plasterboard Ceiling.

#### BASIC INSTALLATION DATA

For complete installation instructions, Refer to USG Monosilent Acoustical Plasterboard Ceiling Installation Guide.

#### MIXING

- Finish must be thoroughly mixed prior to application
- Mix in the 17L container prior to filling the spray machine hopper
- Check for proper consistency using the material thickness gauge provided by the spray equipment manufacturer (small steel ball). If the ball sinks completely, the texture is ready to spray. If the ball does not sink within 3-4 seconds, add more water, 100ml at a time, and mix thoroughly until the ball sinks
- Up to 500ml clean, potable water may be added in order to achieve the proper spray consistency

#### RECOMMENDED SPRAY EQUIPMENT

A texture sprayer, an air compressor, and a spray gun will be needed to apply the USG Monosilent Spray-Applied Finish over the USG Monosilent Acoustical Plasterboard Ceiling. Equipment specifications are detailed in the USG Monosilent Acoustical Plasterboard Ceiling Installation Guide.

#### APPLICATION

In order to achieve proper sound performance and appearance, the finish must be applied in a minimum of two cross-hatch pass coats.

- Apply each coat very lightly with 900mm gun clearance
- Start in one corner and work progressively across the ceiling
- Immediately cross-hatch. Once the finish is dry to the touch (approximately 20 to 40 minutes), re-coat using the same technique
- Apply successive coats until the desired appearance is achieved. After the final coat, wait 24 hours and then remove any minor irregularities with a squeegee trowel
- The finish can be applied directly to bare metal, primed metal, and plastic beads and trims. Maintain proper job site conditions and wear proper protective equipment (safety goggles, respirator, coveralls) while applying texture

#### LIMITATIONS

1. For use only with USG Monosilent Acoustical Plasterboard Ceiling panels.
2. Not for use in areas subject to surface contact.
3. Cannot be painted without negatively affecting acoustical performance code requirements.
4. Cannot be applied directly to metal with powder-coated finishes without proper surface preparation.

## PRODUCT DATA

	Monosilent Spray Applied Finish
Color	White LR-85%
Binder	Water-based Acrylic
Coverage	Approximately 18m <sup>2</sup> per 17L pail
pH	9.0 to 10.0
Weight Solids	80%
Packaging	17L pails
Drying Time	Can be re-coated after 20 minutes at 24°C/ 50% R.H. conditions. Drying time is dependent on temperature, humidity, and film thickness.
Storage	Close container after each use. Store in a dry place with moderate temperatures. Protect from freezing. Shelf life is up to 12 months under good storage conditions.

## REFERENCES

For further health and safety instructions, refer to the Safety Data Sheet (SDS) for this product, available from your USG Middle East sales office or [USGme.com](http://USGme.com)





# MAC PLASTER SPRAY APPLIED FINISH

## FEATURES & BENEFITS

### Fine-textured finish for USG Ensemble™ Acoustical Plasterboard Ceiling

- Acoustically transparent, technologically advanced formulation
- High light reflectance (LR-85%)
- Lightweight, only 12kg per 17L pail
- Quick drying, re-coat in 20 to 40 minutes\*\*
- Applied with pneumatic spray equipment for economical installation
- White color with a fine, granular texture. Available in PANTONE® Colors\*



Flat White 050



Custom PANTONE® Color

#### Notes

\* PANTONE® Color lead time is typically 18-20 weeks, custom colors require a signed color sample approval prior to ordering from USA.

\*\* In less than ideal drying conditions (colder weather), you may have to wait 60-90 min between coats. Check surface is dry to the touch before spraying subsequent coats.

#### USE

Designed specifically as the fine-textured finish for USG Ensemble™ Acoustical Plasterboard Ceiling.

#### BASIC INSTALLATION DATA

For complete installation instructions, Refer to USG Ensemble Acoustical Plasterboard Ceiling Installation Guide.

#### MIXING

- Finish must be thoroughly mixed prior to application
- Mix in the 17L container prior to filling the spray machine hopper
- Check for proper consistency using the material thickness gauge provided by the spray equipment manufacturer (small steel ball). If the ball sinks completely, the texture is ready to spray. If the ball does not sink within 3-4 seconds, add more water, 100ml at a time, and mix thoroughly until the ball sinks
- Up to 500ml clean, potable water may be added in order to achieve the proper spray consistency

#### RECOMMENDED SPRAY EQUIPMENT

A texture sprayer, an air compressor, and a spray gun will be needed to apply the USG MAC Plaster Spray-Applied Finish over the USG Ensemble™ Acoustical Plasterboard Ceiling. Equipment specifications are detailed in the USG Ensemble Acoustical Plasterboard Ceiling Installation Guide.

#### APPLICATION

In order to achieve proper sound performance and appearance, the finish must be applied in a minimum of four cross-hatch pass coats

- Apply each coat very lightly with 900mm gun clearance
- Start in one corner and work progressively across the ceiling
- Immediately cross-hatch. Once the finish is dry to the touch (approximately 20 to 40 minutes), re-coat using the same technique
- Apply successive coats until the desired appearance is achieved. After the final coat, wait 24 hours and then remove any minor irregularities with a squeegee trowel

The finish can be applied directly to bare metal, primed metal, and plastic beads and trims. Maintain proper job site conditions and wear proper protective equipment (safety goggles, respirator, coveralls) while applying texture

#### LIMITATIONS

1. For use only with USG Ensemble™ Acoustical Plasterboard Ceiling panels.
2. Not for use in areas subject to surface contact.
3. Cannot be painted without negatively affecting acoustical performance code requirements.
4. Cannot be applied directly to metal with powder-coated finishes without proper surface preparation.

## PRODUCT DATA

	MAC Plaster Spray Applied Finish
Color	White LR-85%
Binder	Water-based Acrylic
Coverage	Approximately 9.5m <sup>2</sup> per 17L pail
pH	9.0 to 10.0
Weight Solids	55 to 60%
Packaging	17L pails
Drying Time	Can be re-coated after 20 minutes at 24°C/ 50% R.H. conditions. Drying time is dependent on temperature, humidity, and film thickness.
Storage	Close container after each use. Store in a dry place with moderate temperatures. Protect from freezing. Shelf life is up to 9 months under good storage conditions.

## REFERENCES

For further health and safety instructions, refer to the Safety Data Sheet (SDS) for this product, available from your USG Middle East sales office or [USGme.com](http://USGme.com)

# BONDING SOLUTIONS

## BONDING SOLUTIONS

Our Setting-Type Bonding Premium Compounds are a plaster-based adhesive formulated to bond gypsum board to masonry, brick or concrete walls and for bonding decorative cornices to plaster surfaces and for reinforcing joints in cornices. These Premium Compounds have high bond strength and offers a long working time, mixes easily to a creamy, lump-free gauge, high strength, excellent adhesion to masonry, brick and concrete walls and decorative cornices. Easybond™ 60 Setting-Type Bonding Premium Compound Provides enhanced plaster adhesion to surfaces like gypsum plaster, cinder block, stone, drywall panels, and other similar materials. Fastbond Hightack Formula is easily applied by Sealant Gun for quick and instant bonding requirements. The Fastbond Hightack Formula has extremely high initial tack and can be applied as a universal adhesive for bonding many building materials such as: stone, concrete, glass, plasterboard, PU, PVC, hard plastics, enamel, ceramic, copper, lead, zinc, tin, aluminium, metals, alloys, stainless steel, HPL and cement fiber panels, wood and paints stems.

**EASYFIX 60 Setting-Type Premium Cornice Adhesive**

**EASYBOND™ 60 Setting-Type Bonding Premium Compound**



# EASYFIX 60 SETTING-TYPE PREMIUM CORNICE ADHESIVE

## FEATURES & BENEFITS

### Premium Cornice Adhesive

EASYFIX 60 Setting-Type Premium Cornice Adhesive is a plaster-based adhesive, primarily used for bonding decorative cornices to plaster surfaces and for reinforcing joints in cornices. EASYFIX 60 Setting-Type Premium Cornice Adhesive can also be used for bonding back-blocks to gypsum board joints, to bond two plasterboard sheets and to close up gaps in fire rated drywall constructions.

- Fastbond with exceptional strength
- Mixes easily to a creamy, lump-free gauge
- Excellent wet tack
- High adhesion and high strength



## RECOMMENDED

EASYFIX 60 Setting-Type Premium Cornice Adhesive is recommended for:

- Use with paper faced cornice and cast fibrous plaster decorative cornice
- Bonding plaster decorative products
- Bonding back-blocks to gypsum board joints

## APPLICATION

### Applying Cornice Adhesive

1. To ensure accurate placement of cornice, mark the cornice depth/wall line on all internal and mitre ends
2. Mix EASYFIX 60 Setting-Type Premium Cornice Adhesive to a smooth consistency and apply beads approx. 10mm in diameter, to the back of cornice, ceiling lines and mitre ends
3. Carefully place the cornice length on the wall line, then press firmly into position
4. Fix temporary supporting nails along the wall and ceiling line to hold cornice in place until the compound has partially set
5. Use the excess compound to fill any hollow areas on the wall and ceiling line
6. At the same time remove temporary fixing points and patch holes. Apply EASYFIX 60 Setting-Type Premium Cornice Adhesive to internal and external mitre using a small tool
7. Clean wall and ceiling line with a wet sponge, mitre are to be finished using a small brush

## MIXING

- Always use clean cold water, tools and containers
- Always use potable water, never use salty water for mixing
- Use of dirty tools or containers may affect product performance
- Do not mix with residues of previously used compounds
- Always add EASYFIX 60 Setting-Type Premium Cornice Adhesive to water (2kg of powder to 1L of water)
- Mix only enough EASYFIX 60 Setting-Type Premium Cornice Adhesive to meet needs
- Mix by hand or with a power mixer (max of 400rpm) until a workable paste has been achieved

### Caution:

- Do not overmix. Overmixing can reduce the working time. It can also introduce air bubbles, which can create surface imperfections
- Once setting has commenced the material cannot be remixed and must be discarded

## STORAGE

- EASYFIX 60 Setting-Type Premium Cornice Adhesive should be stored under cover in a dry environment and protected from temperature extremes; storage in an unsuitable environment can shorten the life of this product
- It is recommended that EASYFIX 60 Setting-Type Premium Cornice Adhesive is used before the best before date displayed on the bag. It may still be usable after that date if stored unopened in an appropriate environment
- EASYFIX 60 Setting-Type Premium Cornice Adhesive has a shelf life of 24 months from date of manufacture

## PRODUCT DATA

	EASYFIX 60 Setting-Type Premium Cornice Adhesive
Color	White powder
Setting Time	60 minutes
Mixing Ratio (powder to water)	2:1
Drying Time	48 hours approximately
Coverage/bag	180 linear meter of cornice
Packaging	20kg/bag
Shelf life	24 months

## LIMITATIONS

- Under cold or wet conditions, allow a longer dry time before applying the following coat
- The inclusion of other materials to a mix will impair the performance (e.g. reduced strength and poor adhesion) and void the product warranty
- Application of plaster based setting compounds over premixed drying type compounds is not recommended

## PRECAUTIONARY STATEMENT

- Dust from this product may contain silica. Prolonged inhalation may be harmful to health
- Ensure adequate ventilation. Wear eye protection and an approved disposable respirator
- If dust or paste causes irritation use impervious PVC, nitrile or rubber gloves. Wash exposed skin after handling. If product gets into the eyes, wash thoroughly with clean water
- Do not ingest contents of bag. If ingested, seek medical advice immediately
- Keep contents out of reach of children
- Be conscious of the environment. Dispose of empty bags in a responsible manner
- Follow safe lifting instructions on the product label

## REFERENCES

For further health and safety instructions, refer to the Safety Data Sheet (SDS) for this product, available from your USG Middle East sales office or [USGme.com](http://USGme.com)



# EASYBOND™ 60 SETTING-TYPE BONDING PREMIUM COMPOUND

## FEATURES & BENEFITS

### Bonding Premium Compound

EASYBOND™ 60 Setting-Type Bonding Premium Compound is a plaster-based adhesive formulated to bond gypsum board to masonry, brick or concrete walls. EASYBOND™ 60 Setting-Type Bonding Premium Compound has high bond strength and offers a long working time.

- Mixes easily to a creamy, lump-free gauge
- High body for ease of application
- Excellent wet tack
- High strength
- Excellent adhesion to masonry, brick and concrete walls



HIGH BONDING  
PERFORMANCE

## RECOMMENDED

- EASYBOND™ 60 Setting-Type Bonding Premium Compound is suitable for bonding gypsum board to masonry, brick or concrete walls
- For walls over 3.6m high, refer to the USG Middle East Technical for specific system requirements
- EASYBOND™ 60 Setting-Type Bonding Premium Compound may be applied to either a wall or to the back of the board. (If gluing gypsum board to an Autoclaved Aerated Concrete (AAC) wall, then EASYBOND™ 60 Setting-Type should only be applied to the back of the board)

## APPLICATION

- Surfaces must be clean and free from dust
- May be applied with either hand or mechanical tools. USG Middle East recommends a minimum 6mm and 12mm adhesive scoop thickness. Apply good initial pressure to the gypsum board during application
- Coverage will vary depending if doubts or solid application was followed (refer to product data table)
- Surface dampening or the use of a bonding agent may be required to ensure satisfactory bonding to dry or porous walls
- Where the cavity between the wall surface and the back of the gypsum board consistently exceeds 40mm, USG Middle East wall furring system, utilizing steel furring on steel battens fastened to the base wall, must be used

## MIXING

- Always use clean cold water, tools and containers
- Always use potable water, never use salty water for mixing
- Do not mix with residues of previously used compounds
- Use of dirty tools or containers may reduce working time and strength
- Always add Easy Bond to water (2kg of powder to 1L of water)
- Mix only enough EASYBOND™ 60 for a 30 to 40 minute working time
- Mix by hand or with a power mixer (max of 400rpm) until a smooth, workable paste has been achieved
- Once setting has commenced the material cannot be remixed and must be discarded

### Caution:

- Do not overmix; overmixing can introduce air bubbles, which may create surface imperfections and reduce working time
- Once setting has commenced the material cannot be remixed and must be discarded

## STORAGE

- EASYBOND™ 60 Setting-Type Bonding Premium Compound should be stored under a cover in a dry environment and protected from temperature extremes; storage in an unsuitable environment can shorten the lifespan of this product
- EASYBOND™ 60 Setting-Type Bonding Premium Compound has a shelf life of 24 months from date of manufacture

## PRODUCT DATA

	EASYBOND™ 60 Setting-Type Bonding Premium Compound
Color	White powder
Working Time	30 to 40 minutes working time
Setting Time	60 minutes
Mixing Ratio (powder to water)	2:1
Tensile Adhesion Strength (back of gypsum board)	0.4N/mm <sup>2</sup>
Compressive Strength	11N/mm <sup>2</sup>
Packaging	20kg/bag
Coverage	2 - 4kg: 1m <sup>2</sup> (Daubs/Patches application at 400mm spacing) See below figure 1 6 - 9kg: 1m <sup>2</sup> (Solid application) See below figure 2.1 and 2.2
Shelf Life	24 months

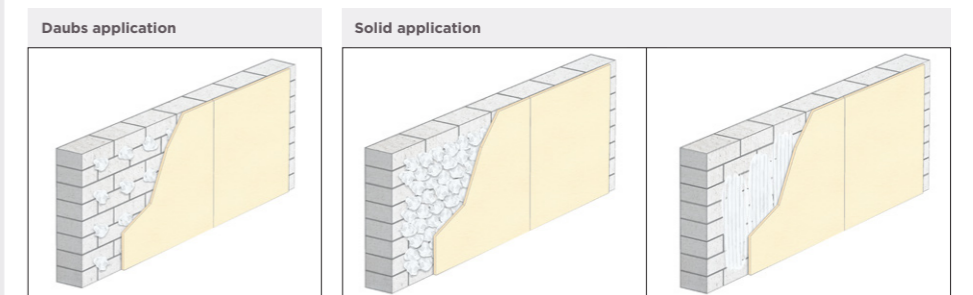


Figure 1

Figure 2.1

Figure 2.2

## LIMITATIONS

- USG Middle East Wet Area Board in tiled areas must be mechanically fastened to furring channels or timber battens and never fixed using the direct adhesive method
- For double brick walls, ensure the wall cavity is completely dry prior to installation of the gypsum board
- On hot, windy days where the risk of early dry-out exists, surface dampening of the walls is strongly recommended
- The inclusion of other materials to a mix will impair the performance (e.g. reduced strength and poor adhesion) and void the product warranty
- Do not use EASYBOND™ 60 once setting has begun; discard the adhesive

## PRECAUTIONARY STATEMENT

- Dust from this product contain silica. Prolonged inhalation may be harmful to health
- Ensure adequate ventilation, wear eye protection and an approved disposable respirator which conforms local standards
- If dust or paste causes irritation use impervious PVC, nitrile or rubber gloves. Wash exposed skin after handling. If product gets into the eyes, wash thoroughly with clean water
- Do not ingest contents of bag. If ingested, seek medical advice immediately
- Keep contents out of reach of children
- Be conscious of the environment. Dispose of empty bags in a responsible manner
- Follow safe lifting instructions on the product label

## REFERENCES

For further health and safety instructions, refer to the Safety Data Sheet (SDS) for this product, available from your USG Middle East sales office or [USGme.com](http://USGme.com)

# SEALANT



## SEALANT

USG ME sealants are acrylic-based for use as sealants in fire-rated partitions, smoke barriers and sound-rated assemblies as acoustical barrier. The sealant exhibits exceptional structural integrity, forms a continuous flexible bead that resists collapse and flows into all but the most intricate joints, resists water penetration and offers excellent resistance to thermal shock. These sealants are low-flowing, forming a dense and continuous barrier against air and other gases. It provides excellent resistance to vibration and movement, making it ideal for joints in fire-rated assemblies that have little or no movement, they're produced with high fire rating and acoustical performances. Where the acoustical sealant which is a type of sealant that is specifically designed to reduce the transmission of sound through gaps or cracks in walls, ceilings, and floors. It is often used in construction and renovation projects to improve the acoustics of a space and reduce noise pollution.

### **FLEXIBLE FIRE SEAL - ACOUSTICAL AND FIRE SEAL** **SHEETROCK® BRAND ACOUSTICAL SEALANT**

# USG ME FLEXIBLE FIRE AND ACOUSTICAL SEAL

## FEATURES & BENEFITS

USG ME Flexible Fire and Acoustical Seal is a 1-component fire resistant sealant based on acrylic dispersion. USG ME Flexible Fire and Acoustical Seal is a plasto-elastic sealant which is slightly intumescent above +120°C and is suitable for up to 4 hours of fire resistant sealing of linear joints.

- Tested according to EN 1366-4
- Up to 4 hours fire resistance
- Can be applied separately in joints up to 20 mm wide
- Can be combined with FP PU Foam up to 30 mm wide
- Paintable with most water based and synthetic paints
- Easy to apply and clean
- Joint movement up to 7.5%
- Almost odourless
- Non corrosive towards metals

## APPLICATION

USG ME Flexible Fire and Acoustical Seal was specifically developed for fire resistant sealing of linear connection joints in gypsum and stony substrates. Fire resistance tested according to EN 1366-4 up to + 120 minutes in a 20 mm wide gap. Combined with FP PU Foam up to 180 minutes in a gap of 30 mm wide. Ensure that you choose the correct fire resistance for your application by consulting the classification and test reports.

## USAGE

A joint with the correct dimensions is able to absorb movements between building materials. The joint depth should always be in the correct relationship of the joint width. A general rule is the ratio of joint depth to the width of the joint with a joint width up to 10 mm is 1:1, with a minimum of 5 mm in width and depth. For joints wider than 10 mm, the depth is the width divided by 3 plus 6 mm.

## SHELF LIFE

In unopened original packaging between +5°C and +25°C, shelf life is up to 18 months from production date, stored in a dry place.

## LIMITATIONS

- Not suitable for continuous exposure to water
- Not suitable for PE, PP, PC, PMMA, PTFE, soft plastics, neoprene and bituminous substrates

## STORAGE

- Store material in a cool, dry place. Avoid direct sunlight.
- Maintain temperature above 5°C.
- Shelf Life: Up to 18 months under protected storage conditions.
- Keep out moisture.
- Avoid dew point conditions or excessive moisture.

## DIRECTION OF USE

A joint with the correct dimensions is able to absorb movements between building materials. The joint depth should always be in the correct relationship of the joint width. A general rule is the ratio of joint depth to the width of the joint with a joint width up to 10 mm is 1:1, with a minimum of 5 mm in width and depth. For joints wider than 10 mm, the depth is the width divided by 3 plus 6 mm. For more information see the our website [www.usgme.com](http://www.usgme.com).

## PAINTABILITY

USG ME Flexible Fire and Acoustical Seal is paintable when fully dry. During curing product will show shrinkage, which can cause cracking of the paint. We recommend testing compatibility with paint prior to application.

## CLEANING

Tools to be cleaned after use with water. Hands can be cleaned with Wipes and/or water and soap.

## PRODUCT DATA

Property	Reference	Product Data
100 % modulus	DIN 53504 S2	0,25 N/mm <sup>2</sup>
Application rate	@ Ø4 mm/4 bar	580 g/min
Application temperature Base		+5°C to +40°C
Base		Acrylic dispersion
Curing time	@ +23°C/50% RH	1mm/24 hours
Density	ISO 1183-1	1,60 g/ml
Elongation at break	DIN 53505/ISO 868	300%
Fire rating	EN 1366-4	up to + 120 minutes in a 20 mm wide gap
Flow	ISO 7390	<2 mm
Frost resistance during transportation		up to -15 °C
Joint movement		7,5 %
Open time	@ +23°C/50% RH	5-10 minutes
Shorea hardness	DIN 53505	20
Skin formation	DBTM 16	6 minutes @ +23°C/50% RH
Temperature resistance		-20°C to +75°C
Tensile strength	DIN 53504	0,11 N/mm <sup>2</sup>

## HEALTH & SAFETY

- Product Safety Data Sheet must be read and understood before use. These are available on request and via our websites.
- Dust may cause irritation to eyes, skin, nose, throat and upper respiratory tract. Avoid irritation by reducing exposure to dust. Use in a well-ventilated area or provide sufficient local ventilation.
- Follow good safety/industrial hygiene practices during installation. Wear appropriate personal protective equipment.

## REFERENCES

For further health and safety instructions, refer to the Safety Data Sheet (SDS) for this product, available from your USG Middle East sales office or [USGme.com](http://USGme.com)



# SHEETROCK® BRAND ACOUSTICAL SEALANT

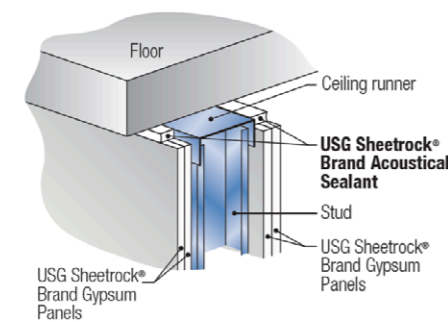
## FEATURES & BENEFITS

### Makes promised ratings a reality

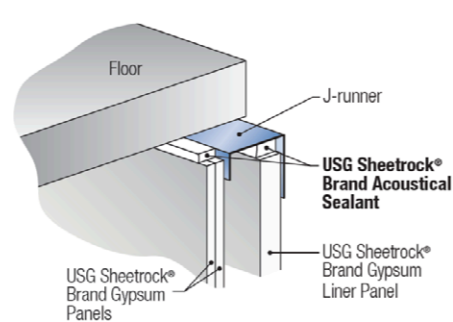
USG Sheetrock® Brand Acoustical Sealant is an acrylic, latex-based sound caulk for use as a sealant in fire-rated partitions, smoke barriers and sound-rated assemblies.

- Excellent sound-flanking material (supports high STC ratings)
- Superior performance as a fire caulk in UL Classified joint and through-penetration firestop systems
- Ideal for use in smoke and/or sound assemblies
- Meets ASTM C834 specifications for latex sealants
- Grade -18°C low temperature flexibility, strong bond
- Low VOC

HW-D-0262 - Conventional Wall



HW-D-0603 - Shaft Wall



## UL SYSTEMS

### Joint Systems

**Conventional Wall:** BW-S-0013, BW-S-0016, BW-S-0022, BW-S-0026, HW-D-0001, HW-D-0002, HW-D-0262, HW-D-0372, HW-D-0504, HW-D-0506, HW-D-0515, HW-D-0513, HW-D-0518, HWD-0525, HW-D-0577, HW-D-0584, HW-D-0603, HW-D-0609, HW-D-0610, HW-D-0611, HW-D-0613, HW-D-0626, HW-D-0627, HW-D-0628, HW-D-1110, HW-S-0009, HW-S-0010, HW-S-0032, HW-S-0035, HW-S-0089, HW-S-0094, HW-S-0096, HW-S-0097, HW-S-0098, HW-S-0099, HWS-0100, HW-S-0101, WW-S-0058, WW-S-0062

**Shaft Wall:** HW-D-0603, HW-D-0609, HW-D-0610, HW-D-0611, HW-D-0612, HW-D-0613, BW-S-0016

C-AJ-1020, W-L-1064 and W-L-1087

## THROUGH-PENETRATION FIRESTOP SYSTEMS

## ADVANTAGES

**Versatile:** Easily applied on vertical and horizontal surfaces without sagging, even overhead.

**Sound Tested:** As an integral component to maintain high STC/MTC ratings in partitions.

**Surface-Burning Characteristics:** Classified by UL with flame spread of 0 and smoke developed of 0.

**For Use in Fire-Resistant, Sound and Smoke Partitions:** Acceptable for use at the perimeter of most wood- and steel-stud wall assemblies.

**Remains Flexible:** Dries tough but stays resilient to “give” with movement.

**High Adhesion:** Bonds tenaciously to a variety of surfaces.

**Attractive Appearance:** Product is non staining.

**Easy to Dispense:** Good working properties ensure fast, efficient application with hand-gun equipment.

## APPLICATION

**Excellent Physical Properties:** Won't sag on vertical surfaces; good open time; long shelf life.

**Easy Clean-up:** Latex-based for clean-up with soap and water before drying.

**UL Classified As:** A material for use as a fill, void or cavity in fire-resistant joint and through penetration firestop systems.

1. Not to be applied to moist areas where frost or condensation is present or in direct contact with water.
2. Protect container from freezing and extreme heat.
3. Maintain 13°C minimum temperature within the building during and after installation.
4. Product should be stored at a temperature neither below 5°C nor exceeding 25°C.
5. Not to be used in applications where the surrounding materials (partitions, floors, penetrations, etc.) will exceed sustained temperatures of 52°C.
6. Not for use with CPVC or PVC products.
7. For through wall penetration designs where piping is installed either concentrically or eccentrically within a cylindrical sleeve application, the design professional shall specify, at least, 1) A “vented” sleeve that allows egress of moisture from the sleeve module; 2) A spacer, packing material, or backer rod that is compatible, non-reactive, and/or non-conductive between the cylindrical outer sleeve and pipe material. The spacer, packing material, or backer rod shall also serve the function of preventing the pipe material from contacting the outer sleeve material.
8. Consult with manufacturer of adjoining materials for compatibility.
9. Not intended to be painted. Sealant will shrink during curing process.
10. Do not apply USG Sheetrock® Brand Acoustical Sealant in areas where abuse or abrasion of a sealant is likely.
11. There may be discoloration of sealant when in contact with certain types of metal such as copper.

## DIRECTIONS

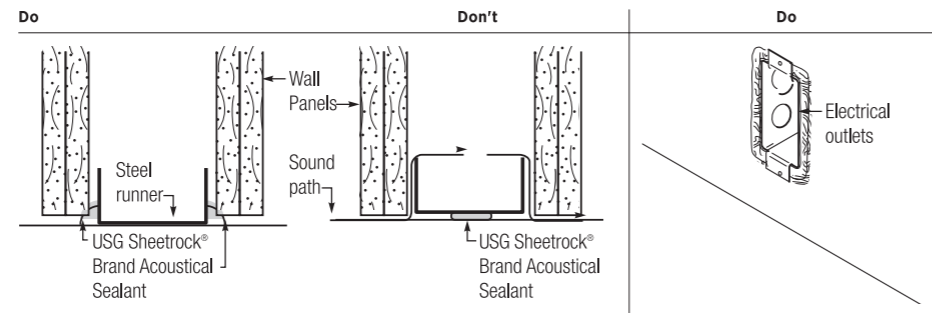
**Preparation:** Before handling, read Safety Data Sheet and product label for safe usage and health information. Installation of USG Sheetrock® Brand Acoustical Sealant should not begin until building is enclosed and building temperatures are maintained at 13°C minimum. Provide adequate ventilation to carry off excess moisture to insure adequate drying. The performance and adhesion of sealants will be only as good as the surface of which it is applied. Surfaces of the opening and any penetration items to be caulked must be sound, clean, dry and free of dust, debris and moisture to insure proper adhesion.

**Application:** USG Sheetrock® Brand Acoustical Sealant shall be applied in accordance with ASTM C919 using conventional caulking equipment. In joint and firestop systems, apply the USG Sheetrock® Brand Acoustical Sealant to minimum thickness specified in the individual fire-rated system.

In shaft wall applications, the maximum separation between bottom of floor and top of liner panel is 25mm. Maximum separation between bottom of floor and top of gypsum board sheets at time of installation of joint system is 16mm. The joint system is designed to accommodate a maximum 25% compression or extension from its installed width on the finished side of the wall.

For all other joints, the sealant application should be specified by a design professional who should give consideration to using a backer rod or bond tape where the gap exceeds 16mm. For through-wall penetration designs where piping is installed either concentrically or eccentrically within a cylindrical sleeve application, the design professional shall specify a spacer, packing material, or backer rod that is compatible/non-reactive with both cylindrical outer sleeve and pipe material. The space, packing material, and backer rod shall also serve the function of preventing pipe from contact with the outer sleeve. In joints too shallow to take a backer rod, use a bond breaker tape to prevent three-sided adhesion.

In acoustical applications, apply 6mm minimum bead of sealant to seal perimeter of partition. Apply continuous bead of USG Sheetrock® Brand Acoustical Sealant around all openings and partition intersections. In penetration applications that are not covered in an individual fire rated system, the thickness of the sealant applied within the opening should be no less than 6.3mm and no greater than 16mm flush with the top surface of the floor or sides of the wall.



**PRODUCT DATA**

**Testing and Classification:** Meets ASTM C834 Standard Specification for Latex-Based Sealing Compounds tested in accordance with ASTM C731, ASTM C732, ASTM C734, ASTM C736, ASTM D2202, ASTM D2203 and ASTM D2377. Also tested in accordance with ASTM E84 (surface-burning characteristics), ASTM E90 (sound tests) and ASTM E1966 (fire-resistant joint systems). ASTM E814 (through-penetration firestop systems). Surface-Burning Characteristics: 0/0 (flame spread/smoke developed)

**Color:** Off-white

**Solids:** 73% ± 3%

**Weight:** 1.6Kg/L in container

**pH:** 8.5-9.5

**VOC:** 15 g/L

**Shelf Life:** One year (in original, unopened container) under good storage practices.

**Coverage (approximate):** 26 linear meters of 6.5mm bead/850ml (29 oz.) cartridge.; 11 linear meter of 9.5mm bead/850ml (29 oz.) cartridge.; 6.7 linear meter of 12.7mm bead/850ml (29 oz.) cartridge.; 3.3 linear meter of 16mm bead/850ml (29 oz.) cartridge.; 120 linear meter 6.5mm bead/3.8L (1 gal.); 55 linear meter of 9.5mm bead/3.8L (1 gal.); 30 linear meter of 12.7mm bead/3.8L (1 gal.)

**Packaging:** 850 ml cartridge; 18.9 L pail.

**GOOD DESIGN PRACTICES**

**1. Inspections:** Periodic inspection of all sealant applications including fire-rated barriers is recommended to make sure that any new openings, modifications of previously installed seals, or areas exhibiting physical damage have been properly sealed or repaired.

**2. Sound Tests:** Sound tests are conducted under laboratory conditions per ASTM procedures. Comparable field performance depends upon careful attention to details and workmanship. USG Sheetrock® Brand Acoustical Sealant should be used to seal all assemblies used for sound control and all assembly cut-outs, such as those for electrical boxes. Back-to-back penetrations of the diaphragm, flanking paths, door and borrowed-light openings should be avoided.

**3. Metal Door and Borrowed-Light Frames:** Apply a continuous bead of USG Sheetrock® Brand Acoustical Sealant inside door frame throat just before inserting facing panel into frame. Do not terminate gypsum panel against trim return.

**REFERENCES**

For further health and safety instructions, refer to the Safety Data Sheet (SDS) for this product, available from your USG Middle East sales office or [USGme.com](http://USGme.com)





# ACCESSORIES

## ACCESSORIES

USG Middle East offers a full range of accessories for the project's builders. The accessories range of varieties from jointing tapes for interior and exterior use that add strength and crack resistance for smooth concealment at flat joints and inside corners, to the durable beads and trims that installs easily by screwing, nailing or tapping to steel or wood framing. Our corner beads and trims protect external corners, angles and panel intersections in drywall construction. It is concealed with our joint compounds, delivering a smooth finished surface and even that protects corners from impact.

---

**SHEETROCK® BRAND PAPER JOINT TAPE**

---

**SHEETROCK® FIBERGLASS DRYWALL TAPE**

---

**DUROCK® BRAND INTERIOR AND EXTERIOR TAPES**

---

**USG MIDDLE EAST DRYWALL J-TRIMS**

---

**USG MIDDLE EAST DRYWALL L-CORNERS BEADS**

---

**BEADEX® PAPER FACED METAL DRYWALL BEAD**

---

**BEADEX® PAPER FACED METAL DRYWALL BEAD AND TRIM**

---

**SHEETROCK® JOINT KNIFE**

---

**SKYROCK® GLASS WOOL INSULATION**

---

**SKYROCK® STONE WOOL INSULATION**

---



# SHEETROCK® BRAND PAPER JOINT TAPE

## FEATURES & BENEFITS

### For strength and crack resistance in drywall joint treatment

USG Sheetrock® Brand Paper Joint Tape is a special fiber tape designed for use with USG joint compounds to reinforce joints and corners in gypsum drywall interiors. Also recommended for joint treatment in veneer finish systems subject to rapid drying conditions and where framing exceeds 400mm spacing. USG Sheetrock® Brand Paper Joint Tape resists cracking and stretching and is lightly sanded for increased bond. USG Sheetrock® Brand Paper Joint Tape is manufactured from special cross-fibered tape with high tensile strength, both with and across the paper grain. Its high porosity produces a superior bond while eliminating the need for perforations. It also provides exceptional wet strength, resists stretching, wrinkling and other distortions, lies flat and resists tearing under tools. Easy to apply, the positive center creasing and uniform winding promote accurate and trouble-free application to angles as well as flat joints.

- High tensile strength to resist tearing, stretching and distortion
- Wafer-thin paper for easier joint treatment
- Roughened surface for superior bond
- Accurately center-creased to improve corner treatment

## ADVANTAGES

In cold weather and during gypsum panel application and joint finishing, temperatures within the building shall be maintained at a minimum of 13°C. Adequate ventilation shall be provided to carry off excess moisture.

## APPLICATION

Position and apply USG Sheetrock® Brand gypsum panels in accordance with manufacturer's recommendations. Prepare joint compound following directions on container. Cover joint with a thin layer of compound and embed paper joint tape, leaving about 0.7mm of compound under feathered edge. While embedding the tape, remove excess compound from edge and apply a thin coat over the tape. Let dry and sand lightly as required. Apply second coat, feathering approximately 50mm beyond first coat. Let dry, sand lightly as required and then apply third coat, feathering 50mm beyond second coat. Sand lightly as required when dry. Finish fastener heads, corner bead and inside corners as required with at least three coats of joint compound, feathered out onto panel faces and sanded as required to a smooth surface.

For painting and decorating, follow manufacturer's directions for materials used. All surfaces, including applied joint compound, must be thoroughly dry, dust-free and not glossy before decorating. A prime coat of USG Sheetrock® Brand First Coat™ Primer or a good quality interior latex flat wall paint with high solids content should be applied undiluted and allowed to dry before painting, texturing or wallpapering.

To improve fastener concealment where gypsum panel walls and ceilings will be subjected to severe artificial or natural side lighting and be decorated with a gloss paint (eggshell, semigloss or gloss), the gypsum panel surface should be skim coated with USG Sheetrock® Brand conventional weight all purpose joint compound to equalize suction before priming and painting, or spray wall with USG Sheetrock® Brand Tuff -Hide™ Primer-Surfacer.

## PRODUCT DATA

**Material:** Cross-fibered paper.

**Coverage:** Approx. 112 m/93 m<sup>2</sup> gypsum panels.

## PACKAGING

Type	Width mm	Length mm	No. of Units/ Master Carton	Application
Roll	52	22.8	24 rolls	Ideal for the occasional small drywall job, patching work, etc.
		76.2	20 rolls	Popular size for hand-application joint treatment Weighs approximately 0.6 kg per roll.
		152.4	10 rolls	Designed to fit easily into taping machines with fewer roll changes. Weighs approximately 1.2 kg per roll so machine balance is not disturbed.

## REFERENCES

For further health and safety instructions, refer to the Safety Data Sheet (SDS) for this product, available from your USG Middle East sales office or [USGme.com](http://USGme.com)



## SHEETROCK® FIBERGLASS DRYWALL TAPE

### FEATURES & BENEFITS

#### Unique cross-fiber construction provides greater drywall joint strength and crack resistance

Sheetrock® Brand Fiberglass Drywall Tape is made with a unique cross-fiberglass construction to provide greater drywall joint strength than conventional fiberglass mesh tapes. Sheetrock® Fiberglass Drywall Tape resists shrinking, tearing, stretching and distortion. It also resists joint cracking that can occur when conventional fiberglass mesh tape is used. In reinforcing joints and corners in drywall interiors, setting-type joint compounds (not ready-mixed or powder drying-type joint compounds) are recommended for the first coat over Sheetrock® Fiberglass Drywall Tape. For the second coat, setting-type or drying-type (ready-mixed or powder) joint compounds may be used. Sheetrock® Fiberglass Drywall Tape is recommended for use with either setting-type or drying-type joint compounds to repair small cracks and holes in drywall & plaster surfaces.

- Self-adhesive tape goes on quickly—eliminates bedding coat and provides smooth finished joints with just two coats.
- Use USG ME Setting-type or drying-type joint compounds (ready-mixed or powder) for first coat over tape.
- Provides 2-coat, 1-day joint finishing.

### ADVANTAGES

**Unique construction:** Conventional fiberglass mesh tapes can stretch slightly when the joint is deflected. When stretching occurs, joints can crack. For this reason, conventional fiberglass tape is recommended only with special high-strength setting-type powder compounds such as Sheetrock® All Purpose Joint Compound, USG Middle East General Purpose joint compound - Setting-Type Joint Compound.

In contrast, the unique leno weave construction of Sheetrock® Fiberglass Drywall Tape resists stretching to prevent cracking in drywall joints. Because it achieves greater joint strength than conventional fiberglass tapes, Sheetrock® Fiberglass Drywall Tape can be used with products such as USG ME Setting-type or drying-type joint compounds (ready-mixed or powder) for first coat over tape. For the first coat, and either a setting-type or drying-type (powder or ready-mixed) joint compound for the second coat.

**Fewer coats of joint compound:** Sheetrock® Fiberglass Drywall Tape is self-adhesive, eliminating the embedding or taping coat required with conventional paper tape.

**Simpler, quicker joint finishing:** With Sheetrock® All Purpose Joint Compound, USG Middle East General Purpose joint compound - Setting-Type Joint Compound, joint finishing can be completed in just one day.

**Ideal for patching:** Use Sheetrock® Fiberglass Drywall Tape to easily patch small holes and cracks in drywall and plaster walls and ceilings.

### APPLICATION

**Joint Treatment:** Maintain minimum air, joint compound, tape, and surface temperature of 13°C within working area until joints are completely dry. Provide adequate ventilation to carry off excess moisture. Be sure drywall surface is dry and clean.

Center and apply Sheetrock® Fiberglass Drywall Tape directly over joint, pressing tape firmly so it adheres evenly. Cut tape with drywall knife. To eliminate wrinkles and ensure maximum bond, press entire length of tape with drywall knife. Avoid overlapping tape at intersections. Cover with a layer of setting-type joint compound, forcing compound through the tape with a drywall knife/trowel to completely fill and level the joint. Failure to completely fill the joint may result in cracking. Let dry and sand lightly as required. Apply second coat of setting-type or drying-type (powder or ready-mixed) joint compound, feathering approximately 50mm beyond first coat. Let dry and sand lightly as required.

To finish inside corners, bend the tape with your fingers to form a U. Apply tape along one side only. Press it into the corner for approximately 300mm and then apply the other side. Work down the corner in this manner until tape is pressed firmly in place. Apply setting-type joint compound down the entire length of one side of the corner, then repeat on the other side. Force the compound through the tape, being careful not to cut the tape with drywall knife during the compound application. Let dry and sand lightly as required.

Apply second coat of setting-type or drying-type (powder or ready-mixed) compound, feathering approximately 50mm beyond first coat. Let dry and sand lightly as required. Finish fastener heads, corner bead and trim with at least three coats of joint compound, (only two coats if using Sheetrock® All Purpose Joint Compound, USG Middle East General Purpose joint compound - Setting-Type Joint Compound feathered out onto panel faces and sanded as required to a smooth surface.

**Finishing:** For painting and decorating, follow manufacturers' directions for materials used. All surfaces, including joint compound, must be thoroughly dry, dust-free and not glossy before decorating. A prime coat of USG Sheetrock® Brand First Coat or a quality interior latex flat wall paint with high solids content should be applied undiluted and allowed to dry before painting, texturing or wallpapering.

Where walls and ceilings will be subject to severe artificial or natural side lighting and/or decorated with gloss paint (eggshell, semi-gloss, or high-gloss), skim-coat gypsum panels with USG Sheetrock® Brand All Purpose Joint Compound or EASY COAT Compound to improve fastener concealment and minimize decorating problems such as joint banding. Skim coating fills imperfections in joint work, smoothes the paper covering of drywall panels and provides a uniform surface for priming and painting.

### PRODUCT DATA

**Width:** 50mm and 65mm.

**Coverage:** Approximately 121.4m/100 m<sup>2</sup> gypsum panels.

**Packaging:** The 22.8LM roll (47mm width only) is ideal for the occasional small drywall job, patching work, etc. The 76LM roll is a popular size for hand-application joint treatment. Master cartons contain 24 ea. 22.8LM rolls per carton, 20 ea. 76LM rolls.

**Storage:** Shelf life up to nine months under good storage conditions. Store at a minimum temperature of 7°C.

### REFERENCES

For further health and safety instructions, refer to the Safety Data Sheet (SDS) for this product, available from your USG Middle East sales office or [USGme.com](http://USGme.com)



# DUROCK® BRAND INTERIOR AND EXTERIOR TAPES

## FEATURES & BENEFITS

**For joint reinforcement of USG Middle East Solidrock, USG Securock® Glass-mat sheathing, USG Durock® Brand Cement Board, USG Fiberock® Brand Underlayment and Tile Backerboard, USG Durock™ Brand Glass-Mat Tile Backerboard, and USG Durock™ Brand UltraLight Foam Tile Backerboard**

USG Durock® Brand Interior and Exterior Tapes are specially designed to reinforce the joints and corners of USG tile backerboard panels. The 50mm USG Durock™ Interior Tape is used to reinforce corners and joints of USG tile backerboard panels. USG Durock™ Exterior Tape is 100mm wide, and it is the required product for completely covering and reinforcing corners and joints of USG Durock® Cement Board when used as an exterior substrate. USG Durock™ Interior and Exterior Tapes are made of alkali-resistant glass-fiber mesh to provide a strong, long-lasting joint.

- Alkali-resistant glass-fiber construction
- Reinforces joints and corners of cement board in exterior substrate applications and interior tile or thin-brick applications
- Sizes for interior 50mm wide and exterior 100mm wide joint reinforcement

## DIRECTIONS - INTERIOR

### Applications of tile and thin brick finishes

**For USG Middle East Solidrock and USG Durock® Cement Boards.** Following application of USG ME Solidrock and USG Durock® Cement Boards, prefill joints between panels with tile-setting mortar or adhesive. Center USG Durock™ Interior Tape over all joints and corners and embed in mortar or adhesive. Do not overlap pieces of the tape. Level the joints. For small areas where the USG ME Solidrock or USG Durock® Cement Boards will not be tiled, such as a board extending beyond the tiled area and abutting another surface, treat joints as follows; seal USG ME Solidrock or USG Durock® Cement Boards with Type 1 ceramic tile adhesive (mix four parts adhesive with one part water). Embed USG Sheetrock® Brand Joint Tape over joints and treat fasteners with Durock® Basecoat or Sheetrock® Base Compound. Flat trowel Durock® Basecoat or Sheetrock® Base Compound over board to cover fasteners and fill voids to a smooth surface. Finish joints with at least two coats of USG Sheetrock® Brand Ready-Mixed Joint Compound. Do not apply ready-mixed or setting-type joint compound over unsealed board.

**For USG Fiberock® Brand Tile Backerboard in tiled areas.** Embed USG Durock™ Interior Tape in latex modified mortar or latex-based Type I mastic over the joint. Use the same material as specified for tile setting.

**For finishing USG Fiberock® Brand Underlayment joints.** Prefill all underlayment joints with tile setting mortar or adhesive. Immediately embed USG Durock™ Interior Tape over the joints and strike joints flush. Additional fill coats may be required. Sand uneven panel joints.

**For USG Durock™ Brand Glass-Mat Tile Backerboard in tiled areas.** Prefill joints between panels of USG Durock® Glass-Mat Tile Backerboard with tile-setting mortar or adhesive. Center USG Durock™ Interior Tape over all joints and corners and embed in mortar or adhesive. Do not overlap pieces of the tape. Level the joints. For small areas where the USG Durock® Glass-Mat Tile Backerboard will not be tiled, such as a board extending beyond the tiled area and abutting another surface, treat joints as follows; seal USG Durock® Glass-Mat Tile Backerboard with Type 1 ceramic tile adhesive (mix four parts adhesive with one part water). Embed USG Sheetrock® Brand Joint Tape over joints and treat fasteners with Durock® Basecoat or Sheetrock® Base Compound. Flat trowel Durock® Basecoat or Sheetrock® Base Compound over board to cover fasteners and fill voids to a smooth surface. Finish joints with at least two coats of USG Sheetrock® Brand Ready-Mixed Joint Compound. Do not apply ready-mixed or setting-type joint compound over unsealed board.

## DIRECTIONS - EXTERIOR

**For USG Durock™ Brand UltraLight Foam Tile Backerboard.** For applications not requiring waterproofing, pre-fill joints with unmodified tile-setting mortar and then immediately embed USG Durock™ Brand Tile Backer Tape and level joints.

### Application of tile and thin-brick finishes

Following application of USG Durock® Cement Board, prefill joints with latex-modified portland cement mortar. Center USG Durock™ Exterior Tape over all joints and corners and embed in mortar. Do not overlap pieces of the tape. Level the joints.

### Application of texture finishes

Following application of USG Durock® Cement Board, prefill joints with a suitable basecoat. Center USG Durock™ Exterior Tape over all joints and embed in basecoat. Do not overlap pieces of the tape. Level the joints.

## PRODUCTS DATA

USG Durock™ Interior and Exterior Tapes are made from alkali-resistant glass-fiber mesh.

**Sizes and Packaging:** USG Durock™ Interior Tape: Rolls, 50mmx15LM and 50mmx75LM.

**USG Durock™ Exterior Tape:** 100mmx45LM.

**Shelf Life:** Up to 12 months under protected storage conditions. Rotate stock.

## REFERENCES

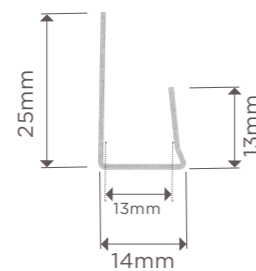
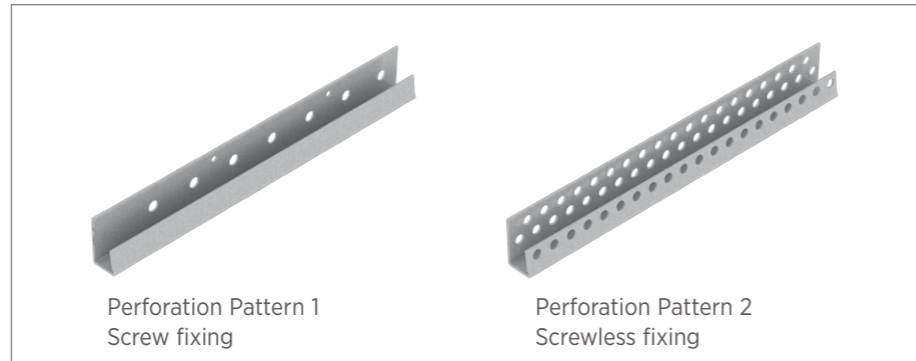
For further health and safety instructions, refer to the Safety Data Sheet (SDS) for this product, available from your USG Middle East sales office or [USGme.com](http://USGme.com)

# USG MIDDLE EAST DRYWALL J-TRIMS

## FEATURES & BENEFITS

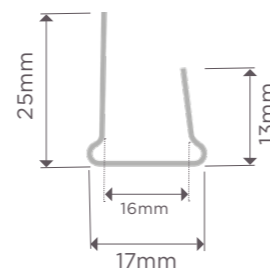
### Metal J Trims

Protect Drywall edges around door and window openings and provide a smooth trim line at intersections.



### JT1313-045

Designed for 12.5 and 12.7 Boards



### JT1316-045

Designed for 15, 15.9 and 16mm Boards

## DIMENSIONS

**Length:** 3000 mm  
**Dimensions:** 13x14x25 mm or 13x17x25 mm  
**Thickness:** 0.45 mm  
**Perforations:** Standard - 2 Patterns

## RAW MATERIALS

Galvanized steel G90

## STEEL GRADE

Yield stress, Fy 33 ksi Ultimate

## ASTM & CODE STANDARDS

- Metal J-trims are produced to meet or exceed ASTM C645 and C955.
- Galvanized sheet steel meets or exceeds requirements of ASTM A-653.
- For installation & storage information refer to ASTM C1007 & C754.

## GREEN BENEFITS

LEED Credit MR 2 – USG products are manufactured from coldformed steel. Steel is 100% recyclable, which helps divert debris from the waste stream.  
 LEED Credit MR 4 – USG steel products have a minimum of 25.5% post-consumer recycled content, and 6.8% pre-consumer.

## REFERENCES

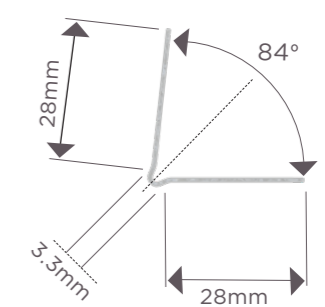
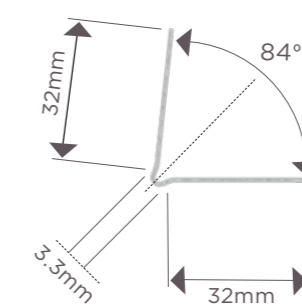
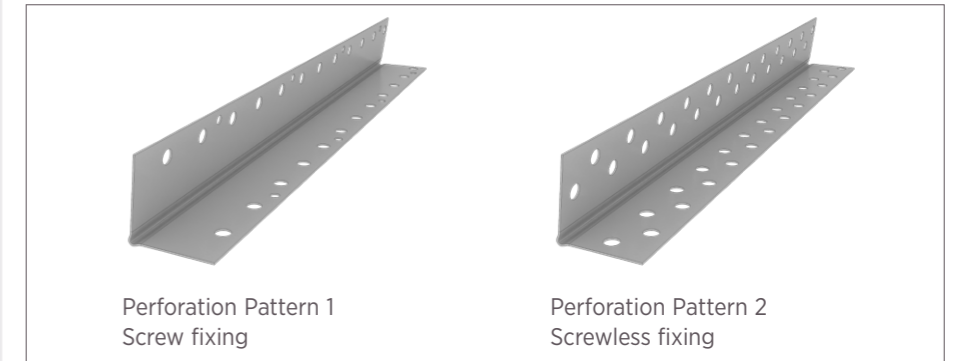
For further health and safety instructions, refer to the Safety Data Sheet (SDS) for this product, available from your USG Middle East sales office or [USGme.com](http://USGme.com)

# USG MIDDLE EAST DRYWALL L-CORNERS BEADS

## FEATURES & BENEFITS

### Metal L Corner Beads

Used to reinforce Drywall and deliver a monolithic and seamless finish along its corners and intersections.



## DIMENSIONS

**Length:** 3000 mm  
**Width:** 32x32 mm or 28x28 mm  
**Thickness:** 0.45 mm  
**Perforations:** Standard - 2 Patterns

## MATERIAL PROPERTIES

Yield stress, Fy 33 ksi Ultimate, with G90 Zinc coating

## ASTM & CODE STANDARDS

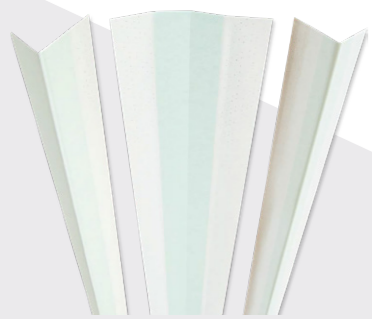
- Steel Corner Beads are produced to meet or exceed ASTM C645 and C955
- Galvanized sheet steel meets or exceeds requirements of ASTM A-653
- For installation & storage information refer to ASTM C1007 & C754

## GREEN BENEFITS

LEED Credit MR 2 – USG products are manufactured from coldformed steel. Steel is 100% recyclable, which helps divert debris from the waste stream.  
 LEED Credit MR 4 – USG steel products have a minimum of 25.5% post-consumer recycled content, and 6.8% pre-consumer.

## REFERENCES

For further health and safety instructions, refer to the Safety Data Sheet (SDS) for this product, available from your USG Middle East sales office or [USGme.com](http://USGme.com)



## BEADEx® PAPER FACED METAL DRYWALL BEAD

### FEATURES & BENEFITS

**We went head-to-head and won corner-to-corner.**

- Increase productivity. Decrease labor costs
- Installs faster than bare metal bead.
- Backed by a limited-lifetime, no-edge-crack warranty for long-term performance.
- Offers high-quality straight lines for interior architectural features.
- Available in a variety of profiles to maximize design flexibility.
- Durable paper facing reduces paint-and-compound chipping.

### DESCRIPTION

USG Beadex® paper faced metal corner bead can be installed 38% faster than traditional metal bead. The executed projects with USG Beadex® had revealed that the half of the project with paper faced metal bead required less joint compound, and the crew increased their productivity, which saved a significant amount in labor costs. Moreover, because USG Beadex® paper faced metal bead does not require nails or screws; there is no risk of corner cracks. That means with USG Beadex® Drywall you not only saved time, but you also can save money on both installation and callbacks.



**Increase productivity. Decrease your labor costs. And stop callbacks due to corner cracks.**

### APPLICATION

**A range of professional tools to make your job easier.**

Sheetrock™ Tools have been developed through years of extensive product research and interior construction site field-testing. From finishing knives to outside corner rollers, our tools are unsurpassed and allow professionals to work comfortably, efficiently and safely.



### REFERENCES

For further health and safety instructions, refer to the Safety Data Sheet (SDS) for this product, available from your USG Middle East sales office or [USGme.com](http://USGme.com)



## BEADEx® PAPER FACED METAL DRYWALL BEAD AND TRIM

### FEATURES & BENEFITS

USG Beadex® Brand Paper-Faced Metal Drywall Bead and Trim includes a full range of high-quality products in shapes and sizes designed to meet any decorating need. Made with a strong paper tape laminated to a sturdy, rust-resistant metal form, USG Beadex® Brand Paper-Faced Metal Drywall Bead and Trim resists edge-cracking and chipping. The coated paper tape covering ensures excellent adhesion of joint compound for a strong, smooth finish. No nailing is required with the tape-on styles, making installation and precision corner alignment easier while eliminating nail pops. Superior performance provides both long-lasting beauty and cost-effective installation.

- Create beautiful, problem-free corners economically
- Fast, easy application reduces labor costs
- Crack resistance decreases costly callbacks
- Paper covering ensures smooth, attractive corners
- Variety of styles permits design flexibility
- Backed by a lifetime warranty

### CERTIFICATION

All USG Beadex® Brand Paper-Faced Metal Drywall Bead and Trim meet or exceed ASTM C1047, Standard Specification for Accessories for Gypsum Wallboard, which covers accessories used in conjunction with assemblies of gypsum wallboard to protect edges and corners and to provide architectural features.

### WARRANTY

USG Beadex® Brand Paper-Faced Metal Drywall Bead and Trim is backed by a 30-year warranty. When applied to a sound structure using recommended application techniques, we warrant that this product will not edge crack for the lifetime of the structure. Note that inside off set corners applied horizontally and nail-on paper-faced bead cannot be guaranteed against edge cracking.

### APPLICATION

1. Apply compound (USG Sheetrock® All Purpose Joint Compound or Setting-Type Joint Compound) to both sides of corner, extending 50mm on each side for outer corners, 40mm for inside corners. Cut bead to desired length; align tight to ceiling and press firmly with fingers along length of corner to set. Do not bend bead. Run taping knife over corner at a 45-degree angle with even pressure. Remove excess compound using knife to eliminate air bubbles under paper. Allow to dry.
2. For outer corners, apply another coat of compound (USG Sheetrock® All Purpose Joint Compound or Setting-Type Joint Compound) to both sides, feathering out 125mm-150mm on each side. Let dry. Sand lightly as necessary. For inner corners, apply fill coat to one side, feathering out 25mm. Let dry. Apply fill coat to other side using same procedure. Let dry. Sand lightly where necessary.
3. For outer corner, apply finishing coat (USG Sheetrock® All Purpose Joint Compound or Setting-Type Joint Compound), feathering 200mm from nose of bead. Draw knife along one side of bead with one edge resting on nose of bead and other on surface of wallboard. Repeat for other side. Let dry. Sand and prime. For inner corners, apply finishing coat to one side, feathering 25mm past previous coat. Let dry. Apply finishing coat to other side. Let dry. Sand and prime.

**L-TRIM INSTALLATION**

L-trim is installed in a similar manner to outside corners, except that only one side is finished.

**NAIL-ON BEAD INSTALLATION**

Where mechanical fastening is desired, use USG Beadex® Brand Paper-Faced Metal Drywall Nail-On Bead. Install by applying staples, screws or nails. Finish as described above for tape-on bead, inside or outside corners.

**LIMITATION**

Not recommended for veneer plaster applications.

**STORAGE**

Store in dry place protected from moisture. Avoid bending or other damage.

**REFERENCES**

For further health and safety instructions, refer to the Safety Data Sheet (SDS) for this product, available from your USG Middle East sales office or visit [USGme.com](http://USGme.com)

## SHEETROCK HAND TOOL

**FEATURES & BENEFITS**

- Easy to Handle and Balance: Redesign grip weight and length to be more easier to handle and balance
- Comfortable Soft Grip: Provide high strength as grip materials makes tools holding soft and comfortable
- Stainless Steel Blade: 3CR13 materials for Joint Knife to make the blade rigid and flexible. 301 stainless steel material for Taping Knife to be high anti-corrosion
- Pull Testing to Ensure Strong and Lasting Connection: Pass 50 kg of handle pull testing with two pins to lock blade to grip as premium image
- Steel Cap with Lead Content: Mark damage gypsum board for repair, tap screw head into the gypsum board while improper screw fixing

**INTENDED FOR**

- For all types of walls and ceiling finishing
- For interior and exterior finishing application
- Up to 50 kg of handle pull testing

**PRODUCT RANGE****100mm Joint Knife**

- Used for taping compound into the joint or corner
- Used for patching holes when repairing plasterboard damage

**150mm Joint Knife**

- Used for taping compound into the joint or corner
- Apply compound for the first coat of joint

**200mm Taping Knife**

- Used for plastering 2<sup>nd</sup> coat compound into the joint or corner

**250mm Taping Knife**

- Used for plastering 3<sup>rd</sup> coat compound into the joint or corner

**300mm Taping Knife**

- Used for the skimming of compounds on walls or ceilings

# SKYROCK® GLASS WOOL INSULATION



## FEATURES & BENEFITS

### High performance slabs for building insulation

- Excellent thermal insulation. Thermal conductivity ( $\lambda$ ) of 0.035 (W/m.K) at 25 °C
- Excellent sound absorption properties
- Effective fire protection. Base fibers are non combustible when tested in accordance with BS 476: Part 4 and ASTM E136
- Lightweight, and easy to install
- Dimensioned to suit studs with 600mm centres
- Low emitting for indoor air quality considerations
- Skyrock® Glass Wool is odourless, rot proof, non-hygroscopic, does not sustain vermin and will not encourage the growth of fungi, mould or bacteria
- Skyrock® Glass Wool has no threat to the environment and has zero Ozone Depletion Potential and zero Global Warming Potential

## DESCRIPTION

Skyrock® Glass Wool products is a semi-rigid slabs of non-combustible, high absorbent glass mineral wool comply with ASTM C612 type IA & IB.

## INTENDED FOR

- Thermal insulation
- Acoustic insulation
- Fire protection
- Construction industry

## PRODUCT DATA

Property	Skyrock® Glass Wool Insulation
Thermal Conductivity	0.035 W/m.K
Density*	16-100 Kg/m <sup>3</sup>
Thickness**	40mm-150mm
Reaction to Fire Class	Non-combustible, Euro-class A1. FSI: 25, SD: 50
Thermal Resistance	2.8 (R-16.2)
Shot Contents	≤ 25% from the weight
Water Vapour Sorption	< 1% by weight
Facing	Un-faced
Rigidity	Semi-Rigid
Fungi Resistance	Do not promote fungi growth
Stress Corrosion to Austenitic Stainless Steel	No Cracking observed
Corrosiveness to Steel	No Corrosion

\* Density vary as per the substrate thickness

\*\* Consult USG ME technical team for other thicknesses

## COMPLIANCE

**EN 13501-1:** Fire classification of construction products and building elements  
**ASTM E136:** Assessing Combustibility of Materials  
**ASTM C518:** Thermal Transmission Properties by Means of the Heat Flow Meter Apparatus  
**ASTM C303:** Dimensions and Density of Preformed Block and Board-Type Thermal Insulation  
**ASTM E84:** Surface Burning Characteristics of Building Materials  
**ASTM C1104:** Determining the Water Vapor Sorption of Unfaced Mineral Fiber Insulation

# SKYROCK® STONE WOOL INSULATION



## FEATURES & BENEFITS

### High performance slabs for building insulation

- Excellent thermal insulation: Thermal conductivity ( $\lambda$ ) of 0.034 (W/m.K) provides excellent thermal performance, reducing heat loss for residential and commercial buildings
- Excellent acoustic insulation: Skyrock® Stone Wool Insulation Slabs provides optimal acoustic performance for better comfort
- Effective fire protection: Skyrock® Stone Wool Insulation Slabs are non-combustible and classified A1 Euro-class Reaction to Fire

## DESCRIPTION

Skyrock® Stone Wool products are made from volcanic rock - a natural material present in large quantities throughout the earth. These raw materials are natural basalt and dolomite coming from regional resources. Complies with ASTM C612 and EN 13162 standard.

## INTENDED FOR

- Thermal insulation
- Acoustic insulation
- Fire protection
- Construction industry

## PRODUCT DATA

Property	Skyrock® Stone Wool Insulation
Thermal Conductivity	0.034 W /m.K
Density*	40-100 Kg/m <sup>3</sup>
Thickness**	25mm-60mm
Reaction to Fire Class	Non-combustible, Euro-class A1
Flame Spread Index (FSI)	0
Smoke Development (SD)	0
Specific Thermal Capacity	- 1 kJ/kg.K
Shot Contents	≤ 25% from the weight
Water Vapour Sorption	< 1% by weight
Water Vapour Diffusion Resistance Factor	- 1 $\mu$
Facing	Un-faced

\* Density vary as per the substrate thickness

\*\* Consult USG ME technical team for other thicknesses

## COMPLIANCE

**EN 823:** Thermal insulating products for building applications  
**EN 1602:** Thermal insulating products for building applications  
**EN 13501-1:** Fire classification of construction products and building elements  
**BS EN 12667:** Thermal performance of building materials and products  
**EN 12086:** Thermal insulating products for building applications  
**BS EN ISO 10456:** Building materials and products. Hygrothermal properties  
**ASTM E84:** Surface Burning Characteristics of Building Materials  
**ASTM E136:** Assessing Combustibility of Materials  
**ASTM C612:** Standard Specification for Mineral Fiber Block and Board Thermal Insulation  
**ASTM C518:** Thermal Transmission Properties by Means of the Heat Flow Meter Apparatus  
**ASTM C303:** Dimensions and Density of Preformed Block and Board-Type Thermal Insulation  
**ASTM C177:** Steady-State Heat Flux Measurements and Thermal Transmission Properties  
**ASTM C1104:** Determining the Water Vapor Sorption of Unfaced Mineral Fiber Insulation





**FACTORY OF USG MIDDLE EAST LTD. CO.**

7410 (Wasil), Street #23, Cross 76  
2nd Industrial City, Dammam 34326-4201  
Kingdom of Saudi Arabia

**CUSTOMER SERVICE**

t +966 13 812 0995  
f +966 13 812 1029  
info@usgme.com  
www.usgme.com

**WEBSITE**

[www.usgme.com](http://www.usgme.com)



**WHATSAPP**

+966 92 003 5672



**SEE US ON LINKEDIN**

[/usgme](#)



**FIND US ON FACEBOOK**

[/usgme](#)



**FOLLOW US ON INSTAGRAM**

[/usg\\_me](#)



**FOLLOW US ON TWITTER**

[/usg\\_me](#)



**SEE US ON YOUTUBE**

[/USG Middle East](#)



**MESSAGE US ON WHATSAPP**

[/+966 92 003 5672](#)

**USG ME** 

INNOVATIVE SOLUTIONS. EVERYTIME.