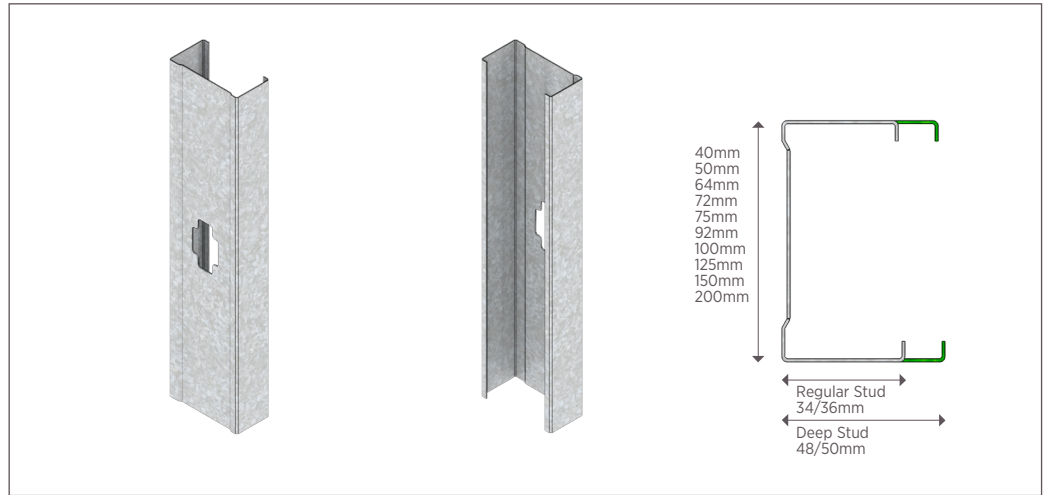


DRYWALL STUDS - C SHAPE

Regular and Deep Flange

ST35100

Stud	Stud Flange	Stud Depth
------	-------------	------------



DESCRIPTION

- Used as vertical C channels inserted between the top and bottom tracks to hold up wall boards in both interior and exterior applications.
- Available in regular flange stud and deep flange stud.

MATERIAL PROPERTIES

- **Thickness:** 0.45-1.5 mm

Stud Width	Track Width (mm)									
	40	50	64	72	75	92	100	125	150	200
Thickness (0.45-0.6mm)	38.8	48.8	62.8	70.8	73.8	90.8	98.8	123.8	148.8	198.8
Thickness (0.7-1.5mm)	38.2	48.2	62.2	70.2	73.2	90.2	98.2	123.2	148.2	198.2

- **Stud Flange:** 34/36 mm and 48/50 mm
- **Stud Length:** Standard 3m. Custom made from 1m up-to 20m
- **Galvanization:** G40-G90 Zinc coating, Yield stress, Fy 33 ksi Ultimate

ASTM & CODE STANDARDS

- Wall studs are produced to meet or exceed ASTM C645 and C955
- Galvanized sheet steel meets or exceeds requirements of ASTM A-653
- For installation & storage information refer to ASTM C1007 & C754

GREEN BENEFITS AND RECYCLED CONTENT

LEED Credit MR 2 – USG products are manufactured from coldformed steel. Steel is 100% recyclable, which helps divert debris from the waste stream.
 LEED Credit MR 4 – USG Boral’s steel products have a minimum of 25.5% post-consumer recycled content, and 6.8% pre-consumer.

PACKAGING

Regular Flange Stud (34/36 mm)		Deep Flange Stud (48/50 mm)	
Stud Depth		Stud Depth	
50 mm	300 Pc	50 mm	240 Pc
64 mm	288 Pc	64 mm	240 Pc
72 mm	260 Pc	75 mm	208 Pc
75 mm	260 Pc	92 mm	192 Pc
92 mm	240 Pc	100 mm	192 Pc
100 mm	240 Pc	125 mm	144 Pc
125 mm	208 Pc	150 mm	120 Pc
150 mm	192 Pc	200 mm	96 Pc

REFERENCES

For further health and safety instructions, refer to the Safety Data Sheet (SDS) for this product, available from your USG Middle East sales office or USGme.com

SECTION & MATERIAL PROPERTIES

Studs Type	Thickness (mm)	Stud Flange (mm)	Stud Depth (mm)	Section Area (mm ²)	Centroid (mm)	Moment of inertia (I _{xx})(mm ⁴)	Section Modulus (S _x)(mm ³)	Radius of Gyration (mm)	Steel Mechanical Properties		
									Yield strength N/mm ²	Tensile strength N/mm ²	Elongation (%)
Regular Flange Stud	0.45	34 / 36	40	51.30	19.670	16,282.0	801.0	17.8	297-308	366-372	28-29
	0.50	34 / 36		57.00	19.675	18,056.0	888.0	17.8	297-308	366-372	29-30
	0.55	34 / 36		62.70	19.676	19,824.0	975.0	17.8	297-308	366-372	29-30
	0.60	34 / 36		68.40	19.677	21,585.0	1,062.0	17.8	297-308	366-372	29-30
	0.70	34 / 36		79.80	19.677	25,086.0	1,234.5	17.7	297-308	366-372	30-31
	0.80	34 / 36		91.20	19.678	28,561.6	1,405.5	17.7	297-308	366-372	30-31
	0.90	34 / 36		102.60	19.679	32,009.5	1,575.2	17.7	297-308	366-372	30-31
	1.00	34 / 36		114.00	19.680	35,430.7	1,743.6	17.6	297-308	366-372	30-31
	1.20	34 / 36		136.80	19.681	42,193.0	2,076.7	17.6	297-308	366-372	30-31
	1.50	34 / 36		171.00	19.684	52,141.0	2,566.6	17.5	297-308	366-372	31-32
	0.45	34 / 36	50	56.25	24.624	26,636.0	1,049.7	21.8	297-308	366-372	28-29
	0.50	34 / 36		62.50	24.625	29,552.0	1,164.6	21.7	297-308	366-372	29-30
	0.55	34 / 36		68.75	24.625	32,460.0	1,279.3	21.7	297-308	366-372	29-30
	0.60	34 / 36		75.00	24.626	35,359.7	1,393.5	21.7	297-308	366-372	29-30
	0.70	34 / 36		87.50	24.626	41,132.7	1,621.0	21.7	297-308	366-372	30-31
	0.80	34 / 36		94.40	24.627	46,871.7	1,847.3	22.3	297-308	366-372	30-31
	0.90	34 / 36		106.20	24.616	50,813.5	2,001.8	21.9	297-308	366-372	30-31
	1.00	34 / 36		118.00	24.617	56,293.9	2,217.8	21.8	297-308	366-372	30-31
	1.20	34 / 36		141.60	24.618	67,157.0	2,645.9	21.8	297-308	366-372	30-31
	1.50	34 / 36		177.00	24.621	83,209.7	3,278.7	21.7	297-308	366-372	31-32
	0.45	34 / 36	64	63.00	31.564	46,172.0	1,423.5	27.1	297-308	366-372	28-29
	0.50	34 / 36		70.00	31.565	51,246.8	1,579.9	27.1	297-308	366-372	29-30
	0.55	34 / 36		77.00	31.565	56,310.6	1,736.2	27.0	297-308	366-372	29-30
	0.60	34 / 36		84.00	31.566	61,363.4	1,891.9	27.0	297-308	366-372	29-30
	0.70	34 / 36		92.40	31.566	71,436.0	2,202.5	27.8	297-308	366-372	30-31
	0.80	34 / 36		105.60	31.555	78,748.9	2,427.2	27.3	297-308	366-372	30-31
	0.90	34 / 36		118.80	31.555	88,400.3	2,724.7	27.3	297-308	366-372	30-31
	1.00	34 / 36		132.00	31.556	98,009.4	3,020.9	27.2	297-308	366-372	30-31
	1.20	34 / 36		158.40	31.558	117,101.4	3,609.5	27.2	297-308	366-372	30-31
	1.50	34 / 36		198.00	31.559	145,426.0	4,482.9	27.1	297-308	366-372	31-32
0.45	34 / 36	72	67.05	35.535	60,186.0	1,650.5	30.0	297-308	366-372	28-29	
0.50	34 / 36		74.50	35.535	66,811.4	1,832.3	29.9	297-308	366-372	29-30	
0.55	34 / 36		81.95	35.536	73,423.9	2,013.6	29.9	297-308	366-372	29-30	
0.60	34 / 36		89.40	35.536	80,024.0	2,194.6	29.9	297-308	366-372	29-30	
0.70	34 / 36		99.40	35.525	90,110.1	2,470.4	30.1	297-308	366-372	30-31	
0.80	34 / 36		113.60	35.525	102,790.0	2,818.1	30.1	297-308	366-372	30-31	
0.90	34 / 36		127.80	35.526	115,422.0	3,164.5	30.1	297-308	366-372	30-31	
1.00	34 / 36		142.00	35.527	128,006.4	3,509.6	30.0	297-308	366-372	30-31	
1.20	34 / 36		170.40	35.528	153,032.6	4,195.9	30.0	297-308	366-372	30-31	
1.50	34 / 36		213.00	35.530	190,217.6	5,215.7	29.9	297-308	366-372	31-32	
0.45	34 / 36	75	67.50	37.025	66,007.3	1,738.2	31.3	297-308	366-372	28-29	
0.50	34 / 36		75.00	37.025	73,276.5	1,929.6	31.3	297-308	366-372	29-30	
0.55	34 / 36		82.50	37.025	80,532.6	2,120.7	31.2	297-308	366-372	29-30	
0.60	34 / 36		90.00	37.027	87,775.8	2,311.5	31.2	297-308	366-372	29-30	
0.70	34 / 36		100.10	37.026	102,223.6	2,692.0	32.0	297-308	366-372	30-31	
0.80	34 / 36		114.40	37.015	112,784.4	2,969.2	31.4	297-308	366-372	30-31	
0.90	34 / 36		128.70	37.015	126,656.0	3,334.5	31.4	297-308	366-372	30-31	
1.00	34 / 36		143.00	37.016	140,478.9	3,698.4	31.3	297-308	366-372	30-31	
1.20	34 / 36		171.60	37.017	167,975.0	4,422.5	31.3	297-308	366-372	30-31	
1.50	34 / 36		214.50	37.020	208,849.9	5,498.9	31.2	297-308	366-372	31-32	
0.45	34 / 36	92	75.60	45.474	105,176.0	2,260.6	37.3	297-308	366-372	28-29	
0.50	34 / 36		84.00	45.474	116,782.3	2,510.0	37.3	297-308	366-372	29-30	
0.55	34 / 36		92.40	45.475	128,372.7	2,759.2	37.3	297-308	366-372	29-30	
0.60	34 / 36		100.80	45.475	139,947.2	3,008.0	37.3	297-308	366-372	29-30	
0.70	34 / 36		112.00	45.475	163,048.5	3,504.6	38.2	297-308	366-372	30-31	
0.80	34 / 36		128.00	45.363	180,140.0	3,870.9	37.5	297-308	366-372	30-31	
0.90	34 / 36		144.00	45.464	202,379.6	4,348.9	37.5	297-308	366-372	30-31	
1.00	34 / 36		160.00	45.464	224,558.9	4,825.5	37.5	297-308	366-372	30-31	
1.20	34 / 36		192.00	45.465	268,731.3	5,774.9	37.4	297-308	366-372	30-31	
1.50	34 / 36		240.00	45.467	334,535.0	7,189.3	37.3	297-308	366-372	31-32	

SECTION & MATERIAL PROPERTIES

Stud Type	Thickness (mm)	Stud Flange (mm)	Stud Depth (mm)	Section Area (mm ²)	Centroid (mm)	Moment of inertia (Ixx)(mm ⁴)	Section Modulus (Sx)(mm ³)	Radius of Gyration (mm)	Steel Mechanical Properties		
									Yield strength N/mm ²	Tensile strength N/mm ²	Elongation (%)
Regular Flange Stud	0.45	34 / 36	100	79.20	49.453	127,455.6	2,521.5	40.1	28-29	28-29	28-29
	0.50	34 / 36		88.00	49.453	141,530.5	2,800.0	40.1	29-30	29-30	29-30
	0.55	34 / 36		96.80	49.453	155,588.0	3,078.1	40.1	29-30	29-30	29-30
	0.60	34 / 36		105.60	49.454	169,628.2	3,355.9	40.1	29-30	29-30	29-30
	0.70	34 / 36		117.60	49.454	197,656.8	3,910.5	41.0	30-31	30-31	30-31
	0.80	34 / 36		134.40	49.442	218,516.6	4,322.2	40.3	30-31	30-31	30-31
	0.90	34 / 36		151.20	49.443	245,528.8	4,856.5	40.3	30-31	30-31	30-31
	1.00	34 / 36		168.00	49.444	272,474.3	5,389.5	40.3	30-31	30-31	30-31
	1.20	34 / 36		201.60	49.445	326,165.6	6,451.7	40.2	30-31	30-31	30-31
	1.50	34 / 36	252.00	49.446	406,205.0	8,035.2	40.1	31-32	31-32	31-32	
	0.55	34 / 36	125	154.40	61.898	261,923.8	4,150.9	41.2	29-30	29-30	29-30
	0.60	34 / 36		173.70	61.899	285,604.6	4,526.2	40.5	29-30	29-30	29-30
	0.70	34 / 36		193.00	61.899	332,901.4	5,275.7	41.5	30-31	30-31	30-31
	0.80	34 / 36		154.40	61.888	368,747.7	5,842.8	48.9	30-31	30-31	30-31
	0.90	34 / 36		173.70	61.888	414,462.3	6,567.2	48.8	30-31	30-31	30-31
	1.00	34 / 36		193.00	61.889	460,093.2	7,290.2	48.8	30-31	30-31	30-31
	1.20	34 / 36	231.60	61.890	551,104.3	8,732.5	48.8	30-31	30-31	30-31	
	1.50	34 / 36	289.50	61.892	686,996.5	10,886.0	48.7	31-32	31-32	31-32	
0.55	34 / 36	150	174.40	74.344	392,384.8	5,186.5	47.4	297-308	366-372	29-30	
0.60	34 / 36		196.20	74.345	427,904.0	5,656.0	46.7	297-308	366-372	29-30	
0.70	34 / 36		218.00	74.356	513,426.6	6,787.4	48.5	297-308	366-372	30-31	
0.80	34 / 36		174.40	74.345	569,728.0	7,530.7	57.2	297-308	366-372	30-31	
0.90	34 / 36		196.20	74.346	640,488.7	8,466.0	57.1	297-308	366-372	30-31	
1.00	34 / 36		218.00	74.346	711,148.6	9,400.1	57.1	297-308	366-372	30-31	
1.20	34 / 36		261.60	74.347	852,166.9	11,264.2	57.1	297-308	366-372	30-31	
1.50	34 / 36		327.00	74.348	1,062,942.2	14,050.5	57.0	297-308	366-372	31-32	
Deep Flange Stud	0.80		48 / 50	50	123.20	24.693	60,431.0	2,387.9	22.1	297-308	366-372
	0.90	138.60			24.693	67,769.5	2,677.9	22.1	297-308	366-372	30-31
	1.20	184.80			24.695	89,502.7	3,537.0	22.0	297-308	366-372	30-31
	0.80	48 / 50	64	134.40	31.636	103,837.4	3,208.5	27.8	297-308	366-372	30-31
	0.90			151.20	31.637	116,540.0	3,601.1	27.8	297-308	366-372	30-31
	1.20			201.60	31.639	154,283.1	4,767.6	27.7	297-308	366-372	30-31
	0.80	48 / 50	75	143.20	37.098	147,457.0	3,890.6	32.1	297-308	366-372	30-31
	0.90			161.10	37.099	165,563.5	4,368.4	32.1	297-308	366-372	30-31
	1.20			214.80	37.101	219,453.680	5,790.5	32.0	297-308	366-372	30-31
	0.80	48 / 50	92	156.80	45.548	232,670.7	5,008.9	38.5	297-308	366-372	30-31
	0.90			176.40	45.549	261,353.9	5,626.4	38.5	297-308	366-372	30-31
	1.20			235.20	45.550	346,874.4	7,467.8	38.4	297-308	366-372	30-31
	0.80	48 / 50	100	163.20	49.527	280,730.960	5,562.1	41.5	297-308	366-372	30-31
	0.90			183.60	49.528	315,386.5	6,248.8	41.4	297-308	366-372	30-31
	1.20			244.80	49.529	418,776.7	8,297.5	41.4	297-308	366-372	30-31
	0.80	48 / 50	150	203.20	74.426	711,025.3	9,408.4	59.2	297-308	366-372	30-31
	0.90			228.60	74.426	799,247.1	10,575.8	59.1	297-308	366-372	30-31
	1.50			381.00	74.430	1,334,743.0	17,809.0	59.2	297-308	366-372	30-31
2.00			508.00	75.600	1,779,659.0	23,648.0	59.2	297-308	366-372	30-31	
0.80	48 / 50	200	243.20	99.357	1,401,316.7	13,923.7	75.9	297-308	366-372	30-31	
0.90			273.60	99.357	1,575,604.5	15,655.5	75.9	297-308	366-372	30-31	
1.50			456.00	100.600	2,647,015.0	26,341.0	75.8	297-308	366-372	30-31	
2.00			608.00	100.600	3,520,530.0	35,025.0	75.8	297-308	366-372	30-31	

Notice:
As we are involved in constant products development; this document information is subject to change without prior notice. Please always refer to usgme.com for the updated products information document.

©2022 Factory of USG Middle East LTD. Co. All rights reserved.

